

**Flow** Line

*Series 61*

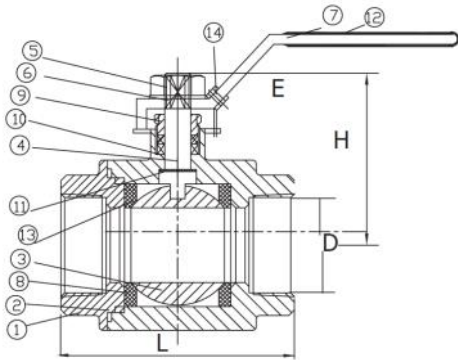


**Full Port 2 Piece Body  
Seal Weld and Non Seal Weld**

**Sizes 1/4" - 4"**

# ENGINEERING

Flow Line **Series 61** Ball Valves have the following features: 2 piece investment cast stainless steel body, blow-out proof stem, full port, NPT threads, and locking handle.



### DIMENSIONS: 1000 F

Size	1/4"	3/8"	1/2"	3/4"	1"	1 1/4"	1 1/2"	2"	2 1/2"	3"	4"
<b>L</b>	2.09	2.13	2.48	2.88	3.43	4.02	4.25	4.76	6.22	7.24	8.78
<b>D</b>	.43	.43	.59	.75	.95	1.26	1.46	1.89	2.48	2.68	3.74
<b>H</b>	1.50	1.50	1.81	2.05	2.28	2.48	3.07	3.47	4.49	4.88	5.79
<b>E</b>	3.82	3.82	4.65	4.92	5.55	5.55	7.17	7.17	10.32	10.47	12.52

### MATERIALS

<b>1</b>	<b>Body</b>	304SS / 316SS	<b>8</b>	<b>Seat</b>	RTFE / PTFE
<b>2</b>	<b>Cap</b>	304SS / 316SS	<b>9</b>	<b>Gland Nut</b>	304SS
<b>3</b>	<b>Seat</b>	304SS / 316SS	<b>10</b>	<b>V-Ring Packing</b>	PTFE
<b>4</b>	<b>Ball</b>	304SS / 316SS	<b>11</b>	<b>Thrust Washer</b>	PTFE
<b>5</b>	<b>Stem</b>	304SS / 316SS	<b>12</b>	<b>Handle Sleeve</b>	Vinyl
<b>6</b>	<b>Packing</b>	RTFE / PTFE	<b>13</b>	<b>Joint Gasket</b>	PTFE
<b>7</b>	<b>Nuts</b>	316SS	<b>14</b>	<b>Locking Device</b>	304SS

### HOW TO ORDER

Series	Size	Pressure	Connection	Body	Ball/Shaft	Seat/Packing	Mounting	Operator
1	2	3	4	5	6	7	8	9

1	Series
61	2 Piece

2	Valve Size
0014	1/4"
0038	3/8"
0012	1/2"
0034	3/4"
0001	1"
0114	1 1/4"
0112	1 1/2"
0002	2"
0025	2 1/2"
0003	3"
0004	4"

3	Pressure
1	1000R
2	2000R
3	3000R
5	5000R
6	6000R
7	1000F
8	2000F
9	3000F

4	Connection
7	Butt Weld 80mm
8	Socket Weld
9	NPT

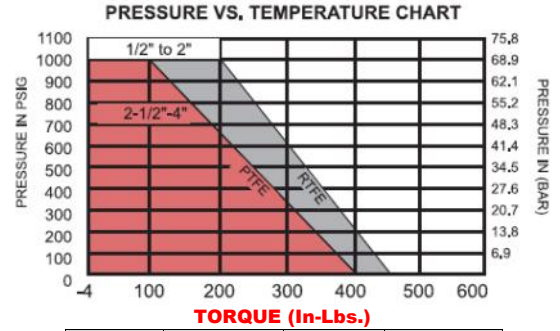
5	Body
3	316 Stainless Steel
4	304 Stainless Steel
5	216 WCB Carbon Steel

6	Ball/Shaft
3	316 Stainless Steel
4	304 Stainless Steel

7	Seat/Packing
1	PTFE / PTFE
2	RTFE / PTFE

8	Mounting
8	Non-ISO
9	ISO Actuator Ready

9	Operator
0	Less Handle
1	Handle
3	Pneumatic Actuator
4	Electric Actuator



Size	1000 Lbs.	Size	1000 Lbs.
1/4"	27	1 1/2"	284
3/8"	36	2"	355
1/2"	54	2 1/2"	532
3/4"	80	3"	797
1"	124	4"	1151
1 1/4"	195		

### WEIGHT: 1000 F

Size	Weight	Cv
1/4"	.44	10
3/8"	.44	18
1/2"	.77	24
3/4"	1.1	55
1"	1.65	100
1 1/4"	2.86	160
1 1/2"	4.4	260
2"	6.49	450
2 1/2"	11.44	720
3"	19.69	1100
4"	37.18	2200

### APPLICABLE STANDARDS

ANSI B16.34	BS 5351
ANSI B16.25	BS 6755
ANSI B16.11	MSS SP25
ANSI B1.20.1	MSS SP72
API 6D 598	NACE MRO-175

### EXAMPLE:

4" 316 SS Body Non-ISO  
 1000psi Full Port 316 SS Ball/Shaft Handle  
 NPT RTFE Seat / PTFE Packing

Series	Size	Trim
61	0004	7933281

# Flow Line

110 Main Project Rd. Schriever, LA 70395  
 Phone (985) 414-6004 Fax (985) 414-6072  
 Toll 800-815-9556

www.flowlinevalves.com

©Flow Line

Doc#61042115