

# FlowLine *Series 86*

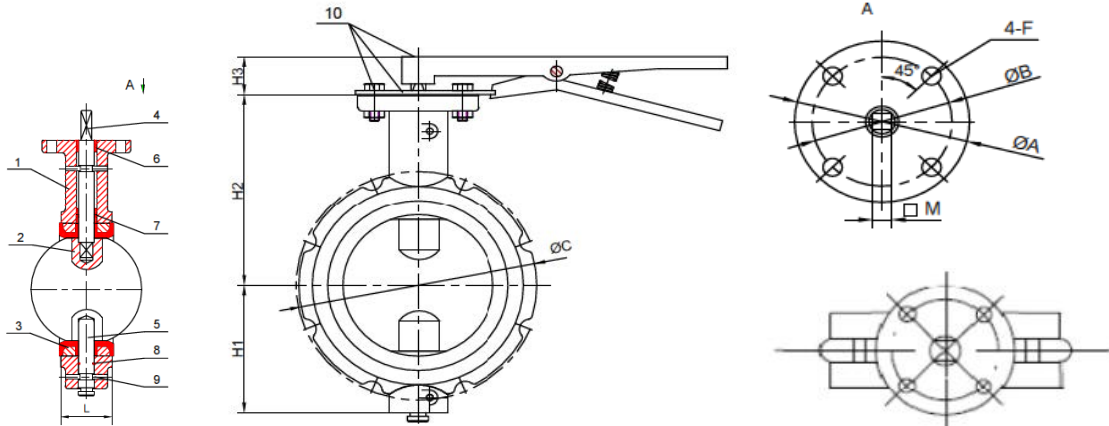


**Notch Body Butterfly Valves**

**Sizes 2"- 12"**

# ENGINEERING

## DIMENSIONS



Size	L	H1	H2	H3	ØA	ØB	ØC	F	M	ISO 5211
2"	1.75	2.76	4.57	0.79	3.54	2.76	4.21	0.39	11mm	F07
2.5"	1.87	3.15	4.76	0.79	3.54	2.76	4.88	0.39	11mm	F07
3"	1.87	3.35	4.84	0.79	3.54	2.76	5.20	0.39	11mm	F07
4"	2.13	3.98	5.98	0.79	3.54	2.76	7.01	0.39	11mm	F07
5"	2.24	4.80	6.26	0.98	3.54	2.76	7.52	0.39	14mm	F07
6"	2.24	5.20	6.50	0.98	3.54	2.76	8.94	0.39	14mm	F07
8"	2.50	6.22	8.03	1.18	4.92	4.02	11.02	0.47	17mm	F10
10"	2.76	7.44	9.96	1.18	4.92	4.02	13.39	0.47	22mm	F10
12"	3.11	9.57	12.20	1.18	4.92	4.02	15.63	0.47	22mm	F10

## CV VALUES

Size	10°	20°	30°	40°	50°	60°	70°	80°	90°
2"	0.1	5	12	24	45	64	90	125	135
2.5"	0.2	8	20	37	65	98	114	204	220
3"	0.3	12	22	39	70	116	183	275	302
4"	0.5	17	36	78	139	230	364	546	600
5"	0.8	29	61	133	237	392	620	930	1022
6"	2	45	95	205	366	605	958	1437	1579
8"	3	89	188	408	727	1202	1903	2854	3136
10"	4	151	320	694	1237	2047	3240	4859	5340
12"	5	234	495	1072	1911	3162	5005	7507	8250

## TORQUE

Soft Seat	
2"	124
2.5"	199
3"	298
4"	496
5"	770
6"	1217
8"	2434
10"	4204
12"	5532

## MATERIALS OF CONSTRUCTION

### Body - No. 1

- Cast Iron ASTM A-126 Class B
- Ductile Iron ASTM A-536 (65-45-12)
- Ductile Iron ASTM A-395

### Disc - No. 2

- Electroless Nickel Plated Ductile Iron ASTM A-536 (65-45-12)
- Aluminum Bronze ASTM B-148 (954)
- 316 Stainless Steel ASTM A-251 (CF8M)
- Nylon 11 Coated Ductile Iron ASTM

### Seat - No. 3

- Buna N
- Viton® - FDA Food Grade 0° to +375°
- EPDM

### Stem - No. 4 & 5

- 416 Stainless Steel ASTM A-582 Type 416

Viton® is a registered trademark of the E.I. DuPont De Nemours Company. FKM is the ASTM D1418 designation for Fluorinated Hydrocarbon elastomers, such as Viton® (DuPont) and Flourel® (3M).

## APPLICABLE STANDARDS

ANSI B16.1	Conforms to ANSI Class 125 flange drilling.
ANSI B16.5	Conforms to ANSI Class 150 flange drilling.
ANSI B16.42	Conforms to ANSI Class 150 flange drilling, body-wall thickness, and pressure-temperature ratings.
ANSI B16.104	Exceeds Class VI shutoff requirements.
API 609	Butterfly Valve Category A.
AWWA C504	Diameter of stainless steel shaft exceeds AWWA Class 75B standard. Body-wall thickness exceeds the AWWA Class 150B standard for butterfly valves.
MSS SP-25	Markings and identification conform to requirements.
MSS SP-67	Butterfly valves
ISO 5211	Actuator Mounting
USCG	Category "A" Title 46, CFR, Part 56
ABS	American Bureau of Shipping

# FlowLine®

110 Main Project Rd. Schriever, LA 70395  
 Phone (985) 414-6004 Fax (985) 414-6072  
 Toll 800-815-9556

www.flowlinevalves.com

©Flow Line

Doc#86120417