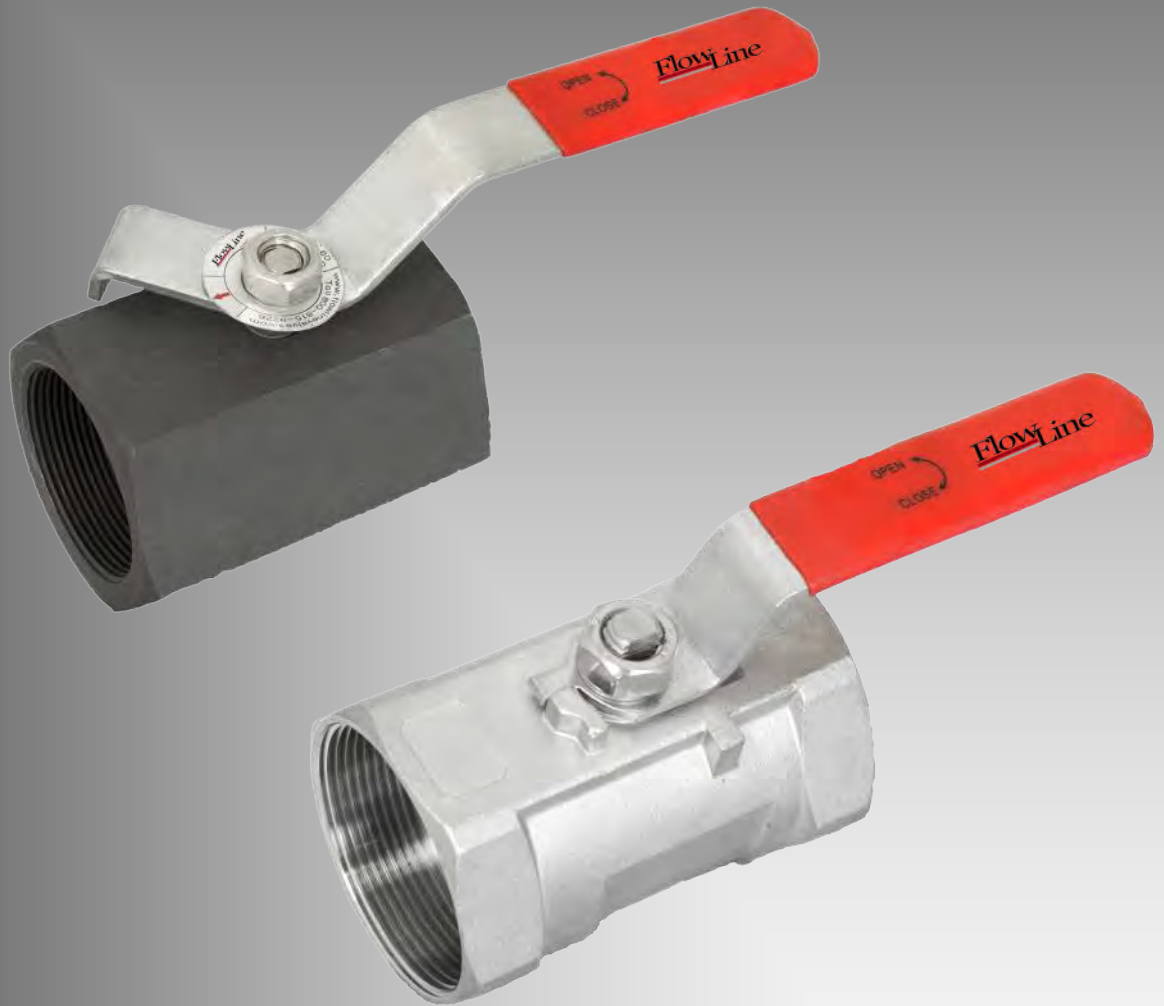


FlowLine

Series 60

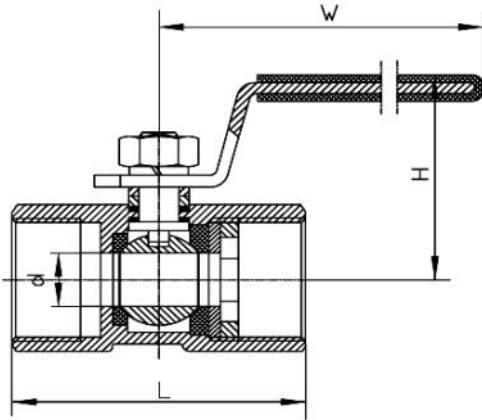


Reduced Port 1 Piece Body

Sizes 1/4" - 4"

ENGINEERING

Flow Line **Series 60** Ball Valves have the following features: 1 piece body with blow-out proof stem, NPT threads, forged steel bodies, and NACE trim standard. All valves are bi-directionally tested.



DIMENSIONS: 1000 R

Size	1/4"	3/8"	1/2"	3/4"	1"	1 1/4"	1 1/2"	2"	2 1/2"	3"	4"
d	.17	.24	.32	.47	.55	.75	1.02	1.26	1.50	2.44	3.07
L	1.57	1.77	2.17	2.44	2.84	3.23	3.5	4.13	4.65	6.18	6.97
H	.87	1.02	2.24	2.36	2.64	2.80	3.07	3.35	2.83	4.65	5.20
W	3.15	3.15	4.61	4.65	5.24	5.79	5.47	6.38	7.09	9.25	9.25

HOW TO ORDER

Series	Size	Pressure	Connection	Body	Ball/Shaft	Seat/Packing	Mounting	Operator
1	2	3	4	5	6	7	8	9

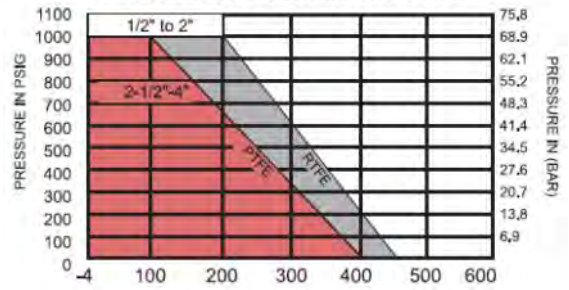
1 Series		3 Pressure		6 Ball/Shaft	
60	1 Piece	1	1000R	3	316 Stainless Steel
		2	2000R	4	304 Stainless Steel
		3	3000R	7 Seat/Packing	
		5	5000R	1	PTFE / PTFE
		6	6000R	2	RTFE / PTFE
		7	1000F	8 Mounting	
		8	2000F	8	Non-ISO
		9	3000F	9	ISO Actuator Ready
		4 Connection		9 Operator	
		7	Butt Weld 80mm	0	Less Handle
		8	Socket Weld	1	Handle
		9	NPT	3	Pneumatic Actuator
		5 Body		4	Electric Actuator
		3	316 Stainless Steel		
		4	304 Stainless Steel		
		5	216 WCB Carbon		

EXAMPLE:

4" 316 SS Body Non-ISO
 1000psi Reduced 316 SS Ball/Shaft Handle
 NPT RTFE Seat / PTFE Packing

Series	Size	Trim
60	0004	1933281

PRESSURE VS. TEMPERATURE CHART



WEIGHT: 1000 R

Size	Weight	Cv
1/4"	.24	4
3/8"	.4	4
1/2"	.75	10
3/4"	1.19	30
1"	2.09	49
1 1/4"	3.08	100
1 1/2"	3.74	132
2"	6.12	171
2 1/2"	12.87	220
3"	22.44	295
4"	42.9	498

TORQUE (In-Lbs.)

Size	1000 Lbs.	Size	1000 Lbs.
1/4"	54	1 1/2"	549
3/8"	80	2"	841
1/2"	124	2 1/2"	1001
3/4"	195	3"	1240
1"	284	4"	1487
1 1/4"	399		

APPLICABLE STANDARDS

ANSI B16.34	BS 5351
ANSI B16.25	BS 6755
ANSI B16.11	MSS SP25
ANSI B1.20.1	MSS SP72
API 6D	NACE MR0-175

FlowLine

110 Main Project Rd. Schriever, LA 70395
 Phone (985) 414-6004 Fax (985) 414-6072
 Toll 800-815-9556

www.flowlinevalves.com

©Flow Line

Doc#60042015