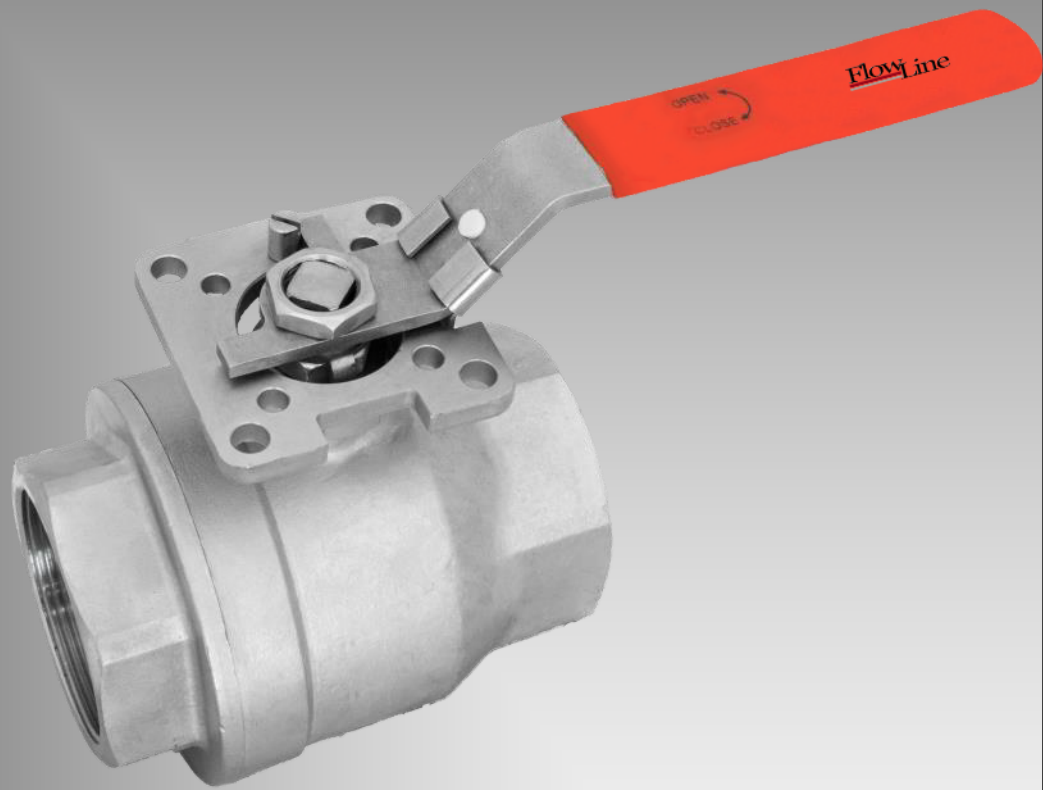


# Flow Line *Series 61DM*



**ISO 5211 Mount 2 Piece Body**

**Sizes 1/4" - 4"**

# ENGINEERING

Flow Line **Series 61DM** Ball Valves have the following features: Size range of 1/4" to 4", ISO 5211 mounting pad, 2 piece investment cast stainless steel body, blow-out proof stem, full port, NPT threads, and live-loaded packing for high cycle operation.

## DIMENSIONS: 1000F

Size	1/4"	3/8"	1/2"	3/4"	1"	1 1/4"	1 1/2"	2"	2 1/2"	3"	4"
<b>L</b>	2.36	2.36	2.36	2.68	3.19	3.78	4.06	4.77	6.26	7.36	8.78
<b>D</b>	.46	.50	.59	.79	.98	1.26	1.50	1.97	2.56	3.15	3.94
<b>H</b>	.35	.35	.35	.35	.47	.55	.55	.55	.67	.67	.67
<b>E</b>	5.47	5.47	5.47	6.50	6.50	6.50	8.46	8.46	10.12	10.12	12.06
<b>F</b>	9mm	9mm	9mm	9mm	11mm	11mm	14mm	14mm	17mm	17mm	17mm
<b>G</b>	F03	F03	F03	F03	F04	F04	F05	F05	F07	F07	F07
<b>I</b>	-	-	F04	F04	F05	F05	F07	F07	F10	F10	F10

## MATERIALS

<b>1</b>	<b>Body</b>	304SS / 316SS	<b>10</b>	<b>Belleville Washer</b>	304SS
<b>2</b>	<b>End Cap</b>	304SS / 316SS	<b>11</b>	<b>Thrust Washer</b>	RTFE / PTFE
<b>3</b>	<b>Ball</b>	304SS / 316SS	<b>12</b>	<b>O-Ring</b>	Viton
<b>4</b>	<b>Stem</b>	304SS / 316SS	<b>13</b>	<b>Locking Washer</b>	304SS
<b>5</b>	<b>Ball Seat</b>	RTFE / PTFE	<b>14</b>	<b>Stem Nut</b>	304SS
<b>6</b>	<b>Gasket</b>	RTFE / PTFE	<b>15</b>	<b>Handle</b>	304SS
<b>7</b>	<b>Stem Packing</b>	RTFE / PTFE	<b>16</b>	<b>Handle Nut</b>	304SS
<b>8</b>	<b>Thrust Washer</b>	RTFE / PTFE	<b>17</b>	<b>Handle Cover</b>	Vinyl
<b>9</b>	<b>Stem Packing</b>	304SS			

## HOW TO ORDER

Series	Size	Pressure	Connection	Body	Ball/Shaft	Seat/Packing	Mounting	Operator
1	2	3	4	5	6	7	8	9

1	Series
61 DM	2 Piece

2	Valve Size
0014	1/4"
0038	3/8"
0012	1/2"
0034	3/4"
0001	1"
0114	1 1/4"
0112	1 1/2"
0002	2"
0025	2 1/2"
0003	3"
0004	4"

3	Pressure
1	1000R
2	2000R
3	3000R
5	5000R
6	6000R
7	1000F
8	2000F
9	3000F

4	Connection
7	Butt Weld 80mm
8	Socket Weld
9	NPT

5	Body
3	316 Stainless Steel
4	304 Stainless Steel
5	216 WCB Carbon Steel

6	Ball/Shaft
3	316 Stainless Steel
4	304 Stainless Steel

7	Seat/Packing
1	PTFE / PTFE
2	RTFE / PTFE

8	Mounting
8	Non-ISO
9	ISO Actuator Ready

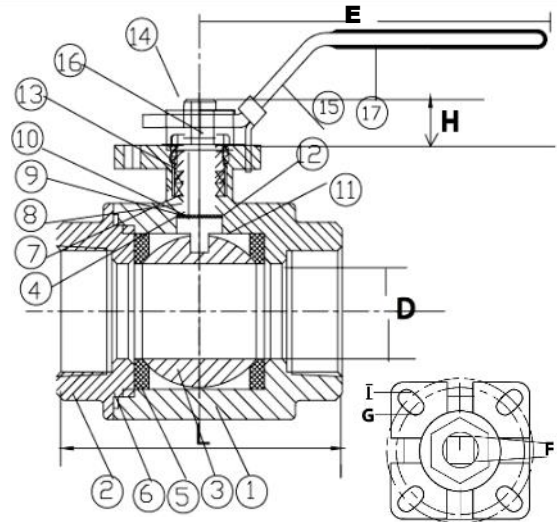
9	Operator
0	Less Handle
1	Handle
3	Pneumatic Actuator
4	Electric Actuator

## APPLICABLE STANDARDS

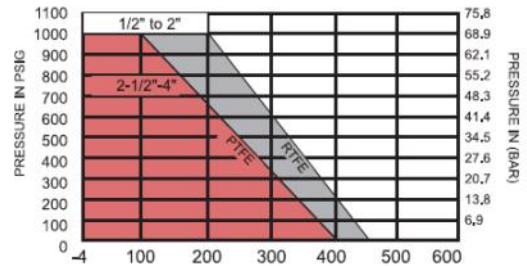
ANSI B16.34	BS 5351
ANSI B16.25	BS 6755
ANSI B16.11	MSS SP25
ANSI B1.20.1	MSS SP72
API 6D	ISO 5211
NACE MRO-175	

## EXAMPLE:

4"	316 SS Body	ISO
1000 psi Full Port	316 SS Ball/Shaft	Handle
NPT	RTFE Seat/PTFE Packing	
	<b>Series</b>	<b>Size</b>
	61DM	0004
		1933291



## PRESSURE VS. TEMPERATURE CHART



## TORQUE (In-Lbs.)

Size	1000 Lbs.	Size	1000 Lbs.
1/4"	27	1 1/2"	284
3/8"	36	2"	355
1/2"	54	2 1/2"	532
3/4"	80	3"	797
1"	124	4"	1151
1 1/4"	195		

## WEIGHT: 1000 F

Size	Weight	Cv
1/4"	.46	10
3/8"	.46	18
1/2"	1.08	24
3/4"	1.65	55
1"	2.42	100
1 1/4"	3.63	160
1 1/2"	4.95	260
2"	7.59	450
2 1/2"	14.19	720
3"	21.67	1100
4"	41.69	2200

# FlowLine

110 Main Project Rd. Schriever, LA 70395  
 Phone (985) 414-6004 Fax (985) 414-6072  
 Toll 800-815-9556

www.flowlinevalves.com

©Flow Line

Doc#61DM042115