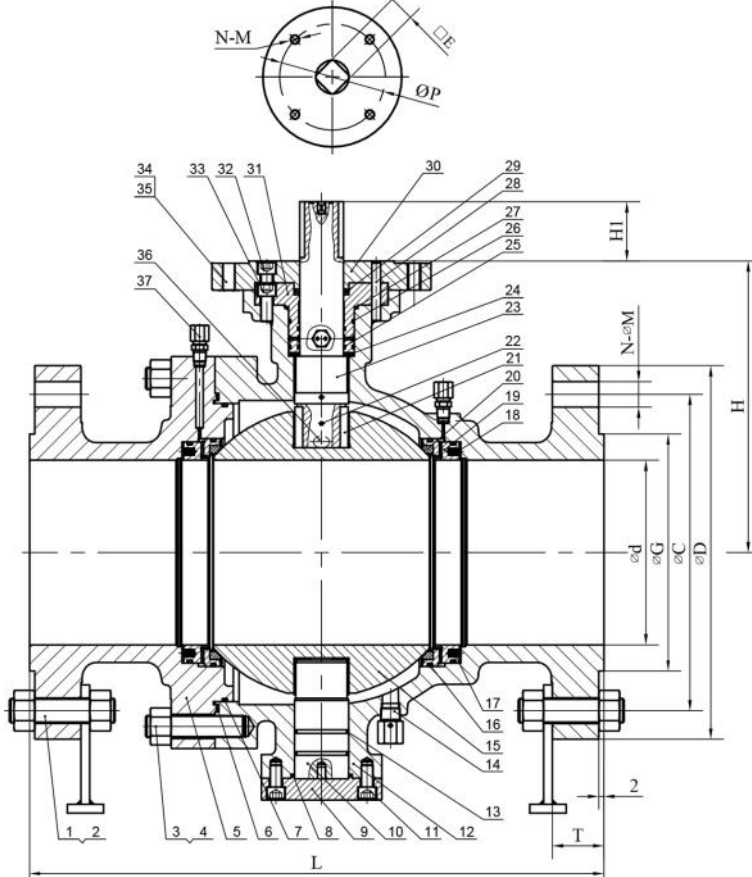


Size	D	C	G	T	L	P	N-M	ISO 5211	E	H	H1	N-M
4"	9.02	7.50	6.18	0.94	9.02	4.02	4- M10	F10	19 mm	8.27	0.71	8- 6/8"
5"	10.00	8.50	7.32	0.94	14.02	4.95	4- M12	F12	22 mm	9.25	0.87	8- 7/8"
6"	10.98	9.51	8.50	1.00	15.51	4.92	4- M12	F12	27 mm	10.83	1.10	8- 7/8"
8"	13.50	11.75	10.63	1.13	17.99	4.92	4- M12	F12	27 mm	12.40	1.10	8- 7/8"
10"	15.98	13.98	12.76	1.19	20.98	5.51	4- M16	F14	36 mm	14.80	1.42	12- 1"
12"	17.01	19.09	15.00	1.27	24.02	6.50	4- M20	F16	46 mm	18.50	1.81	12- 1"



No	Part Name	Material
1	Bolt	ASTM A193 B7
2	Nut	ASTM A194 2H
3	Bolt	ASTM A193 B7
4	Nut	ASTM A194 2H
5	Cap	ASTM A216
6	Body Gasket	Graphite +
7	O-Ring	Viton
8	Bottom Cover Gasket	Graphite
9	Bottom Cover	ASTM A105
10	Fixed Axis	ASTM A276
11	Screw	ASTM A193 B7
12	Body	ASTM A216
13	O-Ring	Viton
14	Drain Valve	
15	Ball	ASTM A182
16	O-Ring	Viton
17	Spring	17-7PH
18	O-Ring	Viton
19	Seat Support Ring	ASTM A182
20	Seat	RPTFE
21	Key	ASTM A194 2H
22	Anti-Static Device	ASTM A276
23	Stem	ASTM A276
24	Thrust Washers	ASTM A276
25	Pin	ASTM A194 2H
26	Packing	Graphite
27	Packing Gland Gas-	Graphite
28	Pin	ASTM A194 2H
29	Packing	Graphite
30	Turbine	
31	Packing Gland	ASTM A105
32	Key	ASTM A194 2H
33	Stem Gland	ASTM A276
34	Screw	ASTM A193 B7
35	Screw	ASTM A193 B7
36	Bolt	ASTM A193 B7
37	Nut	ASTM A194 2H
38	Exhaust Valve	
39	Grease Valve	

Design & Manufacture	ANSI B16.34
Face to Face	ANSI B16.10
Flange Ends	ANSI B16.5
Inspection & Test	API598

Size	Torque
4"	885
5"	1593
6"	3009
8"	4248
10"	7258
12"	12391

Size	CV
4"	2100
5"	2900
6"	5300
8"	9500
10"	16000
12"	23000

VALVE	Trunnion Flanged Ball Valve	DIMENSIONAL DATA SHEET Series 65 Trunnion Flanged Ball Valve 4" - 12"	PART #	
PRESSURE	ANSI 150		DRAWING #	REVISION
CUSTOMER/PROJECT			65-0150	B
INQ./P.O. #			DATE	
ORDER #			03/05/2013	
CERTIFIED BY	EDITED BY			
JD	TZ			