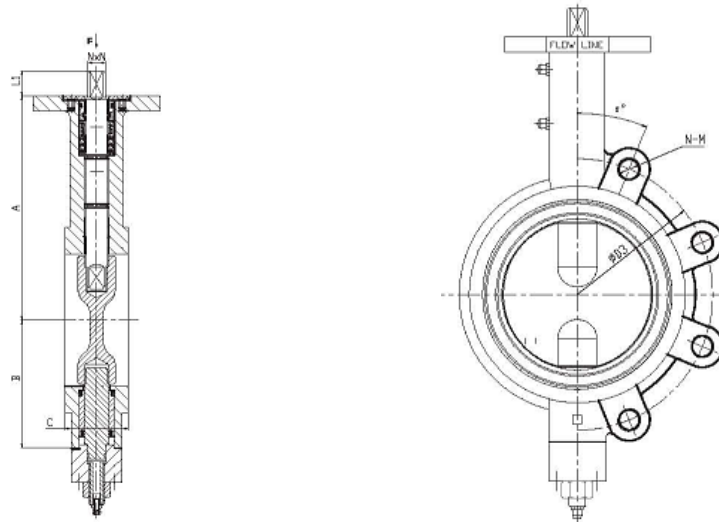
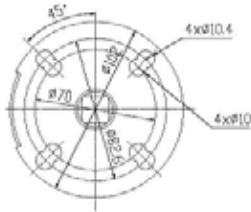


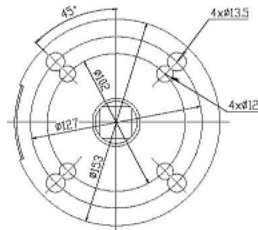
| Size   | A     | B    | C    | D3    | N      | M  | a°    | NxN   | L1   | Wgt |
|--------|-------|------|------|-------|--------|----|-------|-------|------|-----|
| 2"     | 5.63  | 2.87 | 1.63 | 4.75  | 5/8-11 | 4  | 45°   | 0.551 | 0.79 | 10  |
| 2 1/2" | 6.14  | 3.15 | 1.77 | 5.5   | 5/8-11 | 4  | 45°   | 0.551 | 0.79 | 11  |
| 3"     | 6.38  | 3.39 | 1.75 | 6     | 5/8-11 | 4  | 45°   | 0.551 | 0.79 | 12  |
| 4"     | 7.13  | 4.06 | 2    | 7.5   | 5/8-11 | 8  | 22.5° | 0.551 | 0.79 | 20  |
| 5"     | 7.76  | 4.72 | 2.13 | 8.5   | 3/4-10 | 8  | 22.5° | 0.67  | 0.95 | 25  |
| 6"     | 8.27  | 5.12 | 2.13 | 9.5   | 3/4-10 | 8  | 22.5° | 0.67  | 0.95 | 31  |
| 8"     | 9.45  | 6.18 | 2.5  | 11.75 | 3/4-10 | 8  | 22.5° | 0.866 | 0.95 | 49  |
| 10"    | 11.25 | 7.8  | 2.5  | 14.25 | 7/8-9  | 12 | 15°   | 0.866 | 0.95 | 76  |
| 12"    | 12.21 | 9.21 | 3    | 17    | 7/8-9  | 12 | 15°   | 0.866 | 1.06 | 112 |



FOR 2'-6" TOP PLATE



FOR 8'-12" TOP PLATE



| 4    | stem        |          |         |
|------|-------------|----------|---------|
| 3    | disc        |          |         |
| 2    | seat        |          |         |
| 1    | body        |          |         |
| Item | Description | Material | Remarks |

|                  |           |   |  |             |     |
|------------------|-----------|---|--|-------------|-----|
| VALVE SIZE       | Wafer/Lug | <b>DIMENSIONAL DATA SHEET</b><br><b>METAL SEATED BUTTERFLY VALVE</b><br><b>SERIES 74/75</b><br><b>SIZES 2" -12"</b> |  | PART NO.    |     |
| PRESSURE RATING  |           |   |  | DRAWING NO. | REV |
| CUSTOMER/PROJECT |           |   |  | 7475-01     |     |
| INQ./PO NO.      |           |   |  | DATE        |     |
| ORDER NO.        |           |   |  | 2/11        |     |
| CERTIFIED BY     | DATE      |   |  |             |     |

**Flow Line Valve and Controls, L.L.C.**