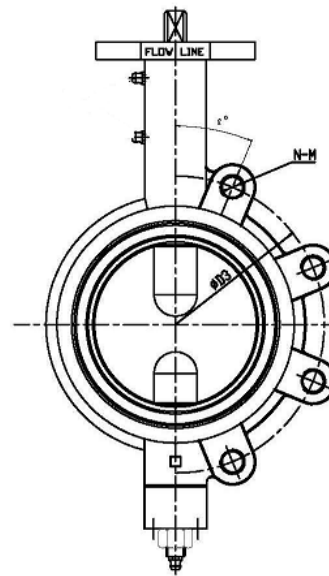
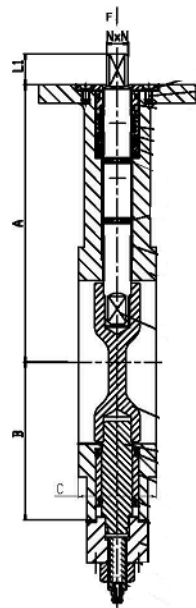
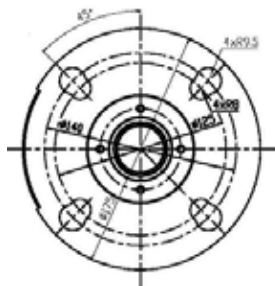


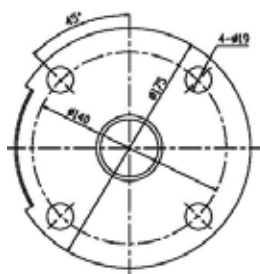
| Size | A     | B     | C    | D3    | N       | M  | a°     | NxN   | L1   | Wgt |
|------|-------|-------|------|-------|---------|----|--------|-------|------|-----|
| 14"  | 12.76 | 10.28 | 3    | 18.75 | 1-8     | 12 | 15°    | 1.063 | 1.42 | 140 |
| 16"  | 13.78 | 11.58 | 3.37 | 21.25 | 1-8     | 16 | 11.25° | 1.063 | 1.42 | 210 |
| 18"  | 14.76 | 12.64 | 4.12 | 21.96 | 1 1/8-7 | 16 | 11.25° | 1.063 | 1.42 | 240 |
| 20"  | 15.75 | 13.66 | 5.13 | 25    | 1 1/8-7 | 20 | 9°     | 1.42  | 1.97 | 340 |
| 24"  | 18.98 | 16.3  | 5.96 | 29.5  | 1 1/4-7 | 20 | 9°     | 1.42  | 1.97 | 500 |



FOR 14"-18" TOP PLATE



FOR 20",24" TOP PLATE



| 4    | stem        |          |         |
|------|-------------|----------|---------|
| 3    | disc        |          |         |
| 2    | seat        |          |         |
| 1    | body        |          |         |
| Item | Description | Material | Remarks |

|                  |           |   |             |     |
|------------------|-----------|---|-------------|-----|
| VALVE SIZE       | Wafer/Lug | <b>DIMENSIONAL DATA SHEET</b><br><b>METAL SEATED BUTTERFLY VALVE</b><br><b>SERIES 74/75</b><br>SIZES 14" -24" | PART NO.    |     |
| PRESSURE RATING  |           |   | DRAWING NO. | REV |
| CUSTOMER/PROJECT |           |   | 7475-02     |     |
| INQ./PO NO.      |           |   | DATE        |     |
| ORDER NO.        |           |   | 2/11        |     |
| CERTIFIED BY     | DATE      |   |             |     |

**Flow Line Valve and Controls, L.L.C.**