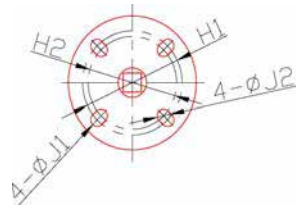
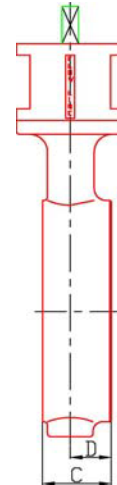
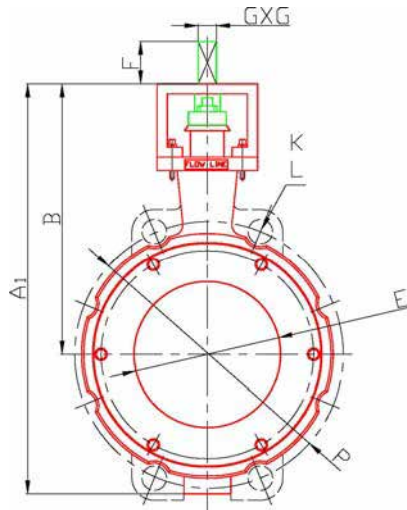


PTFE / RTFE Seat

Size	A1	B	C	D	E	F	GxG	H1	H2	J1	J2	K	L	P	Wt
2"	9.42	6.42	1.75	1.06	2.45	0.827	0.551	3.25	2.76	0.41	0.39			4.75	12
2.5"	9.13	6.42	1.88	1.09	2.91	0.827	0.551	3.25	2.76	0.41	0.39			5.5	13
3"	10.4	7.4	1.92	1.2	3.37	0.827	0.551	3.25	2.76	0.41	0.39			6	15
4"	11.73	8.23	2.13	1.26	4.25	0.827	0.551	3.25	2.76	0.41	0.39			7.5	24
5"	13.32	9.07	2.25	1.34	5.3	1.063	0.67	3.25	2.76	0.41	0.39			8.5	29
6"	14.5	9.6	2.31	1.38	6.4	1.063	0.67	3.25	2.76	0.41	0.39			9.5	37
8"	16.3	10.75	2.5	1.49	8.35	1.063	0.866	5	4.02	0.53	0.53			11.75	64
10"	18.26	11.36	2.81	1.7	10.16	1.063	0.866	5	4.02	0.53	0.53	0.94	2	14.25	84
12"	23.91	14.37	3.23	1.86	11.93	1.063	0.866	5	4.02	0.53	0.53	0.94	2	17	142



4	stem		
3	disc		
2	seat		
1	body		
Item	Description	Material	Remarks

VALVE SIZE	Wafer	DIMENSIONAL DATA SHEET HIGH PERFORMANCE BUTTERFLY VALVE PTFE/RTFE Seat SERIES 76 SIZES 2"-12"	PART NO.	
PRESSURE RATING	ANSI 150		DRAWING NO.	
CUSTOMER/PROJECT			76-0001	
INQ./PO NO.			DATE	
ORDER NO.			8/5/10	
CERTIFIED BY	DATE		REV	

Flow Line Valve and Controls, L.L.C.