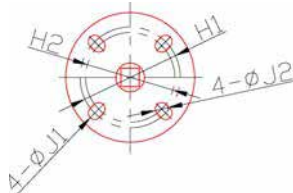
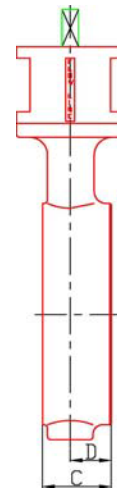
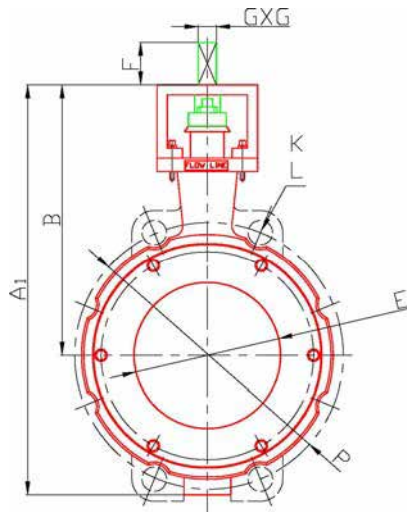


PTFE / RTFE Seat

Size	A1	B	C	D	D	F	GxG	H1	H2	J1	J2	K	L	P	Wt
14"	26.07	15	3.62	2.19	13.94	1.47	1.06	5.51	4.92	0.75	0.625	1.06	4	18.75	172
16"	29.63	17.57	4	2.31	15.59	1.47	1.06	5.51	4.92	0.75	0.625	1.06	4	21.25	251
18"	32.06	18.88	4.5	2.45	17.48	1.47	1.06	5.51	4.92	0.75	0.625	1.25	4	22.75	304
20"	33.95	20.01	5	2.94	19.45	1.92	1.41	5.51		0.75		1 1/8"-7	4	25	323
24"	38.58	22.13	6.06	3.12	23.3	1.92	1.41	5.51		0.75		1 1/4"-7	4	29.5	585



4	stem		
3	disc		
2	seat		
1	body		
Item	Description	Material	Remarks

VALVE SIZE	Wafer	DIMENSIONAL DATA SHEET HIGH PERFORMANCE BUTTERFLY VALVE PTFE/RTFE Seat SERIES 76 SIZES 14"-24"	PART NO.	
PRESSURE RATING	ANSI 150		DRAWING NO.	REV
CUSTOMER/PROJECT			76-0002	
INQ./PO NO.			DATE	
ORDER NO.			8/5/10	
CERTIFIED BY	DATE			

Flow Line Valve and Controls, L.L.C.