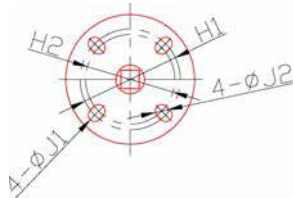
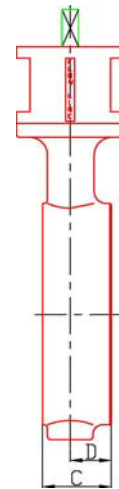
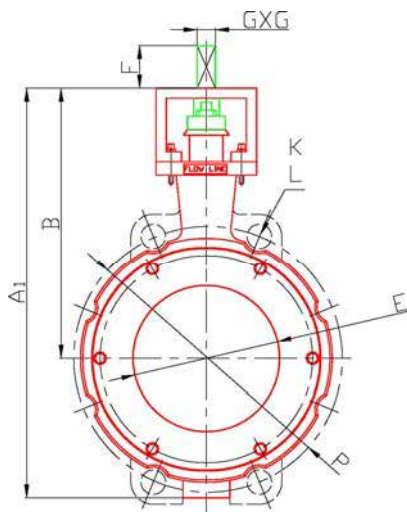


PTFE / RTFE Seat

Size	A1	B	C	D	E	F	GxG	H1	H2	J1	J2	K	L	P	Wt
2"	9.37	6.42	1.75	1.06	2.45	0.827	0.551	3.25	2.76	0.41	0.39			5	15
2.5"	9.13	6.42	1.88	1.09	2.91	0.827	0.551	3.25	2.76	0.41	0.39			5.88	17
3"	10.47	7.4	1.92	1.2	3.37	0.827	0.551	3.25	2.76	0.41	0.39			6.625	20
4"	11.93	8.23	2.13	1.26	4.25	0.827	0.551	3.25	2.76	0.41	0.39			7.875	27
5"	13.43	9.07	2.25	1.34	5.3	1.063	0.67	3.25	2.76	0.41	0.39			9.25	34
6"	14.53	9.61	2.29	1.38	6.4	1.063	0.67	5	4.02	0.53	0.53			10.63	50
8"	17.92	10.76	2.88	1.54	8.35	1.063	0.866	5	4.02	0.53	0.53			13	78
10"	19.74	11.88	3.25	1.7	10.16	1.063	0.866	5	4.02	0.53	0.53	1"-8	2	15.25	110
12"	24.55	14.74	3.62	1.86	11.93	1.063	0.866	5	4.02	0.53	0.53	1 1/8"-8	2	17.75	148



4	stem		
3	disc		
2	seat		
1	body		
Item	Description	Material	Remarks

VALVE SIZE	Wafer	DIMENSIONAL DATA SHEET HIGH PERFORMANCE BUTTERFLY VALVE PTFE/RTFE Seat SERIES 76 SIZES 2"-12"	PART NO.	
PRESSURE RATING	ANSI 300		DRAWING NO.	
CUSTOMER/PROJECT			76-0003	REV
INQ./PO NO.			DATE	A
ORDER NO.			8/5/10	
CERTIFIED BY	DATE			

Flow Line Valve and Controls, L.L.C.