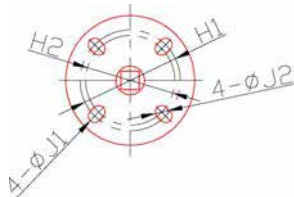
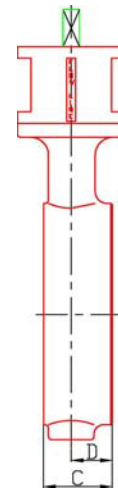
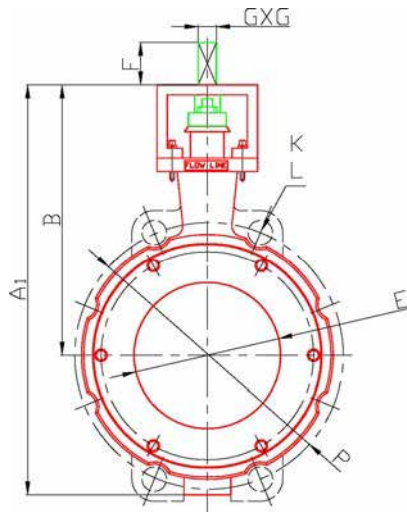


PTFE / RTFE Seat

Size	A1	B	C	D	D	F	GxG	H1	H2	J1	J2	K	L	P	Wt
14"	27.76	16.68	4.62	2.48	13.94	1.45	1.06	5.51	4.92	0.75	0.625	1 1/8"-8	4	20.25	242
16"	31.18	18.88	5.25	2.59	15.59	1.45	1.06	5.51	4.92	0.75	0.625	1 1/4"-8	4	22.5	363
18"	33.47	20.02	5.88	3.03	17.48	1.45	1.06	5.51	4.92	0.75	0.625	1 1/4"-8	4	24.75	431
20"	35.83	21.27	6.31	3.24	19.45	1.92	1.41	5.51		0.75		1 1/4"-8	4	27	721
24"	41.69	24.26	7.19	3.62	23.3	1.92	1.41	5.51		0.75		1 1/2"-8	4	32	875



4	stem		
3	disc		
2	seat		
1	body		
Item	Description	Material	Remarks

VALVE SIZE	Wafer	DIMENSIONAL DATA SHEET HIGH PERFORMANCE BUTTERFLY VALVE PTFE/RTFE Seat SERIES 76 SIZES 14"-24"	PART NO.	
PRESSURE RATING	ANSI 300		DRAWING NO.	REV
CUSTOMER/PROJECT			76-0004	A
INQ./PO NO.			DATE	
ORDER NO.			8/5/10	
CERTIFIED BY	DATE			

Flow Line Valve and Controls, L.L.C.