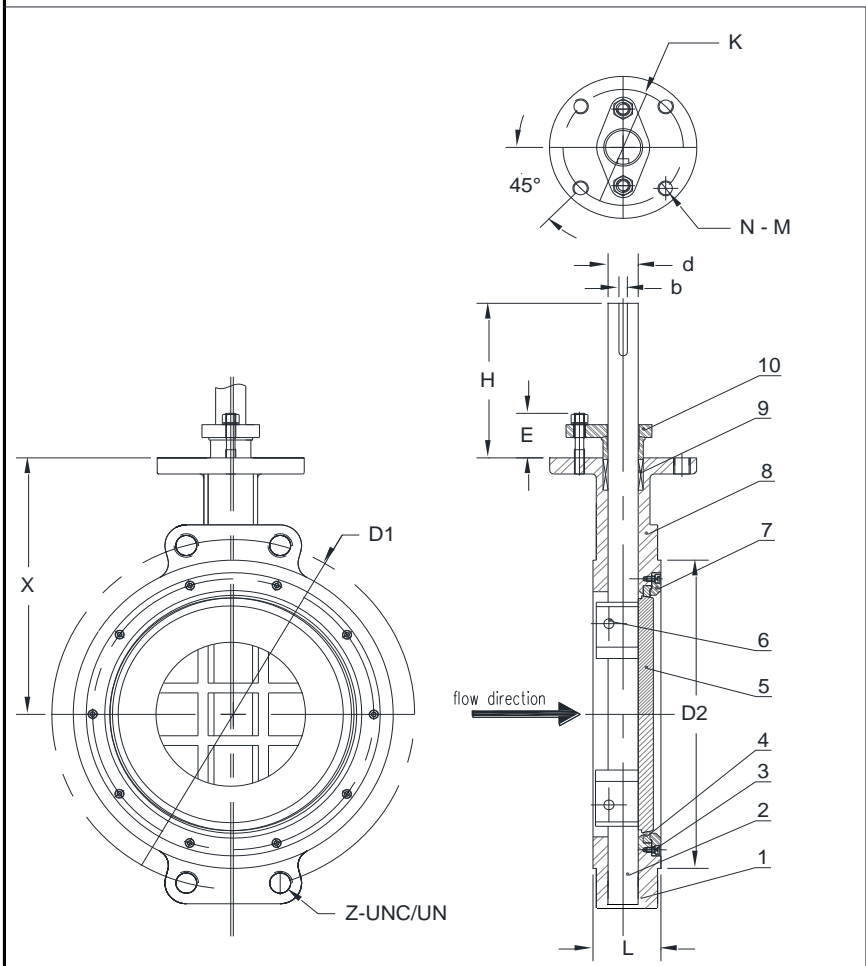


Size	L	D1	Z - UNC/UN	D2	d	b	H	K	N - M	E	X
2"	1.69	4.75	4 - 5/8" -11	3.62	0.63	0.197	3.70±0.08	2.76	4 - M10	1.57	4.57
2½"	1.89	5.50	4 - 5/8" -11	4.13	0.71	0.236	3.70±0.08	2.76	4 - M10	1.57	5.20
3"	1.89	6.00	4 - 5/8" -11	5.00	0.71	0.236	3.70±0.08	2.76	4 - M10	1.77	5.31
4"	2.13	7.50	4 - 3/4" -10	6.18	0.79	0.236	3.70±0.08	2.76	4 - M10	1.77	6.89
5"	2.24	8.50	4 - 3/4" -10	7.32	0.87	0.315	3.70±0.08	4.02	4 - M10	1.77	7.40
6"	2.24	9.50	4 - 3/4" -10	8.50	0.94	0.315	3.70±0.08	4.02	4 - M10	1.77	8.15



DESIGN STANDARD	API 609
FLANGE CONNECTION	ASTM B16.5
FACE TO FACE	API 609
TEST PROCEDURE	API 598
FIRE TEST	API 607 (R4)
SHOCK	MIL-S- 901D Grade A
VIBRATION TEST	MIL-STD-167-1A

**NOTES**

- 1) Cap screws and stud lengths are determined by customer due to flange and gasket sizes.
- 2) 2", 2.5", and 3" valves are full wafer/lug style conforming to API 609

No.	PART	PART NO.	Qty	MATERIAL
1	Gasket	N/A	1	Does Not Apply
2	Stem	76N-2M0XX	1	B865 N05500 Monel
3	Screw	76N-3M0XX	**	B564 N04400 Monel
4	Seat	76N-4T0XX	1	RTFE + Monel
5	Disc	76N-5M0XX	1	A494 M35-1 Monel
6	Pin	76N-6M0XX	2	B865 N05500 Monel
7	Seal Plate	76N-7M0XX	1	A494 M35-1 Monel
8	Body	76N-8B0XX	1	B148 C95800 Bronze
9	Packing	76N-9G0XX	1	Graphite
10	Stuffing Cover	76N-10MXX	1	B564 N04400 Monel

**NOTE:** All drawings are subject to change from factory without notice.    \*\* (2"-6pcs), (2-1/2"-6pcs), (3"-8pcs), (4"-10pcs), (5"-12pcs), (6"-12pcs)    \*Items #4 & #7 Coincide

Pressure Rating: <b>ANSI 150</b>	<b>DIMENSIONAL DATA SHEET</b> <b>Series 76N</b> <b>High Performance Butterfly Valve</b> <b>Wafer Type</b> <b>2" - 6"</b>	Material Reference: <b>BRONZE / MONEL</b>
Customer/Project:		Part No.: <b>76-XXXN-5917R3O</b>
Cage Code: <b>6SPR5</b>		Drawing No.: <b>FL 76N-0150-1AB-R1</b>
Drawn By: <b>TEM</b>	Approved by: <b>DAB</b>	Manufactured to <b>Specifications of MIL-V-24624</b>
		Rev. # <b>D</b>
		Rev. Date <b>06/02/2015</b>