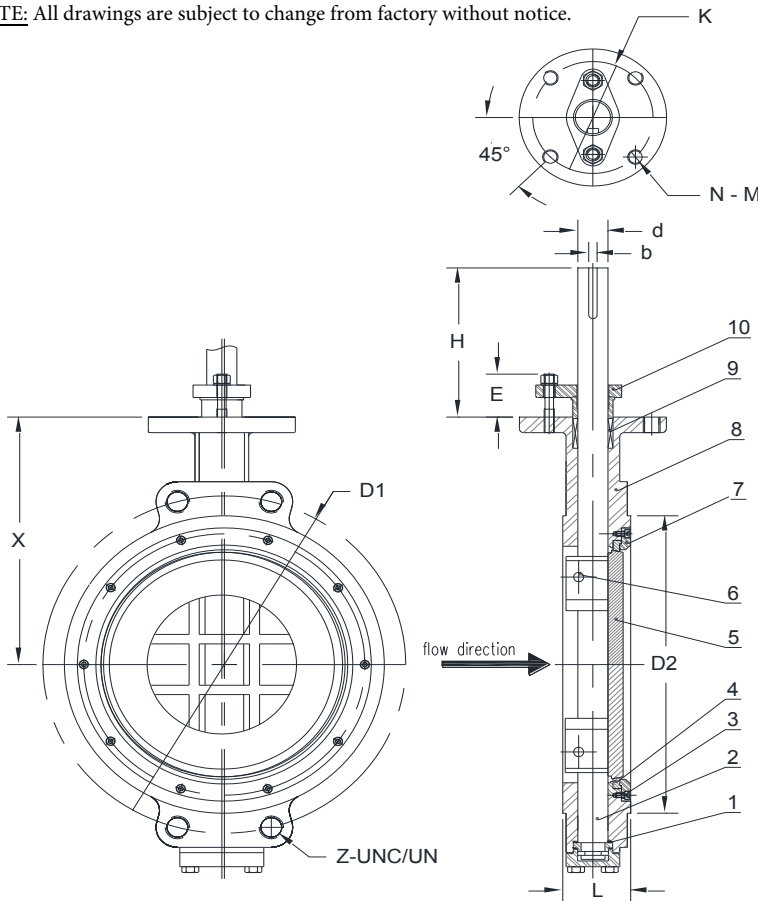


Size	L	D1	Z - UNC/UN	D2	d	b	H	K	N - M	E	X
8"	2.52	11.75	4 - 3/4" -10	10.63	1.10	0.315	4.21±0.08	4.13	4 - M12	2.17	9.33
10"	2.80	14.25	4 - 7/8" -9	12.75	1.26	0.394	4.21±0.08	4.13	4 - M12	2.36	10.87
12"	3.19	17.00	4 - 7/8" -9	15.00	1.42	0.394	4.21±0.08	5.12	4 - M16	2.36	12.48
14"	3.62	18.75	4 - 1" -8	16.25	1.57	0.472	5.00±0.08	5.12	4 - M16	2.56	13.43
16"	4.02	21.25	4 - 1" -8	18.50	1.73	0.472	5.00±0.08	5.91	4 - M16	2.68	14.84
18"	4.49	22.75	4 - 1-1/8" -7	21.00	2.05	0.630	5.00±0.08	6.69	4 - M16	2.76	15.75
20"	5.00	25.00	4 - 1-1/8" -7	23.00	2.36	0.709	5.41±0.08	7.36	4 - M16	2.83	17.13
24"	6.06	29.50	4 - 1-1/4" -7	27.25	2.76	0.787	5.41±0.08	9.84	8 - M18	3.03	19.88

NOTE: All drawings are subject to change from factory without notice.



DESIGN STANDARD	API 609
FLANGE CONNECTION	ASTM B16.5
FACE TO FACE	API 609
TEST PROCEDURE	API 598
FIRE TEST	API (R4)
SHOCK	MIL-S- 901D Grade A
VIBRATION TEST	MIL-STD-167-1A

**NOTES**

1) Cap screws and stud lengths are determined by customer due to flange and gasket sizes.

No.	PART	PART NO.	Qty	MATERIAL
1	Gasket	76N-1G0XX	1	Graphoil
2	Stem	76N-2M0XX	1	B865 N05500 Monel
3	Screw	76N-3M0XX	**	B564 N04400 Monel
4	Seat	76N-4T0XX	1	RTFE + Monel
5	Disc	76N-5M0XX	1	A494 M35-1 Monel
6	Pin	76N-6M0XX	2	B865 N05500 Monel
7	Seal Plate	76N-7M0XX	1	A494 M35-1 Monel
8	Body	76N-8B0XX	1	B148 C95800 Bronze
9	Packing	76N-9G0XX	1	Graphite
10	Stuffing Cover	76N-10MXX	1	B564 N04400 Monel

\*\* (8"-16pcs), (10"-16pcs), (12"-16pcs), (14"-12pcs), (16"-16pcs), (18"-16pcs), (20"-16pcs), (24"-16pcs) \* Items #4 & #7 Coincide

Pressure Rating: <b>ANSI 150</b>	<b>DIMENSIONAL DATA SHEET</b> <b>Series 76N</b> <b>High Performance Butterfly Valve</b> <b>Wafer Type</b> <b>8" - 24"</b>	Material Reference: <b>BRONZE / MONEL</b>
Customer/Project:		Part No.: <b>76-XXXN-5917R30</b>
Cage Code: <b>6SPR5</b>		Drawing No.: <b>FL 76N-0150-2AB-R1</b>
Drawn By: <b>TEM</b>	Approved by: <b>DAB</b>	Rev. # <b>D</b>
		Rev. Date <b>06/02/2015</b>
<b>Manufactured to Specifications of MIL-V-24624</b>		

**Flow Line Valve and Controls, LLC**  
 P.O. Box 677; 110 Main Project Road, Schriever, LA 70395  
 Phone: (985) 414-6004 Fax: (985) 414-414-6072  
[www.flowlinevalves.com](http://www.flowlinevalves.com)