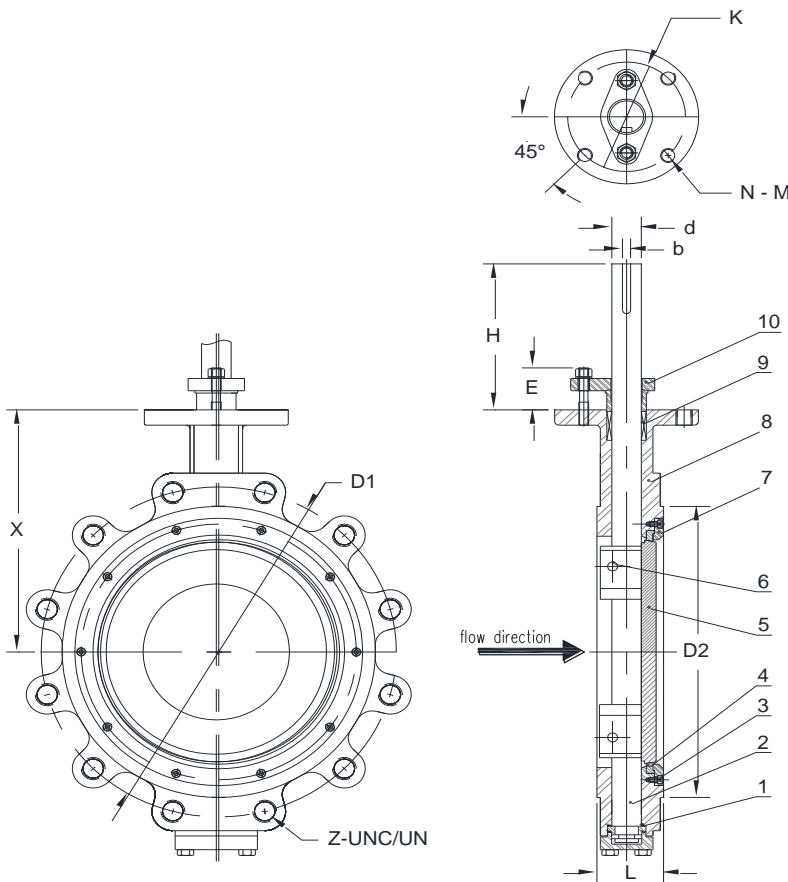


Size	L	D1	Z - UNC/UN	D2	d	b	H	K	N - M	E	X
2"	1.69	4.75	4 - 5/8" -11	3.62	0.63	0.197	3.70±0.08	2.76	4 - M10	1.57	4.57
2½"	1.89	5.50	4 - 5/8" -11	4.13	0.71	0.236	3.70±0.08	2.76	4 - M10	1.57	5.20
3"	1.89	6.00	4 - 5/8" -11	5.00	0.71	0.236	3.70±0.08	2.76	4 - M10	1.77	5.31
4"	2.13	7.50	4 - 3/4" -10	6.18	0.79	0.236	3.70±0.08	2.76	4 - M10	1.77	6.89
5"	2.24	8.50	4 - 3/4" -10	7.32	0.87	0.315	3.70±0.08	4.02	4 - M10	1.77	7.40
6"	2.24	9.50	4 - 3/4" -10	8.50	0.94	0.315	3.70±0.08	4.02	4 - M10	1.77	8.15



DESIGN STANDARD	API 609
FLANGE CONNECTION	ASTM B16.5
FACE TO FACE	API 609
TEST PROCEDURE	API 598
FIRE TEST	API 607 (R4)
SHOCK	MIL-S- 901D Grade A
VIBRATION TEST	MIL-STD-167-1A

NOTES	
1)	Cap screws and stud lengths are determined by customer due to flange and gasket sizes.
2)	2", 2.5", and 3" valves are full wafer/lug style conforming to API 609

No.	PART	PART NO.	Qty	MATERIAL
1	Gasket	N/A	1	Does Not Apply
2	Stem	76N-2M0XX	1	B865 N05500 Monel
3	Screw	76N-3M0XX	**	B564 N04400 Monel
4	Seat	76N-4T0XX	1	RTFE + Monel
5	Disc	76N-5M0XX	1	A494 M35-1 Monel
6	Pin	76N-6M0XX	2	B865 N05500 Monel
7	Seal Plate	76N-7M0XX	1	A494 M35-1 Monel
8	Body	77N-8B0XX	1	B148 C95800 Bronze
9	Packing	76N-9G0XX	1	Graphite
10	Stuffing Cover	76N-10MXX	1	B564 N04400 Monel

NOTE: All drawings are subject to change from factory without notice. ** (2"-6pcs), (2-1/2"-6pcs), (3"-8pcs), (4"-10pcs), (5"-12pcs), (6"-12pcs) * Items #4 & #7 Coincide

Pressure Rating: ANSI 150	DIMENSIONAL DATA SHEET Series 77N High Performance Butterfly Valve Lug Type 2" - 6"	Material Reference: BRONZE / MONEL
Customer/Project:		Part No.: 77-XXXN-5917R30
Cage Code: 6SPR5		Drawing No.: FL 77N-0150-1AB-R1
Drawn By: TEM	Approved by: DAB	Manufactured to Specifications of MIL-V-24624
		Rev. # D
		Rev. Date 06/02/2015