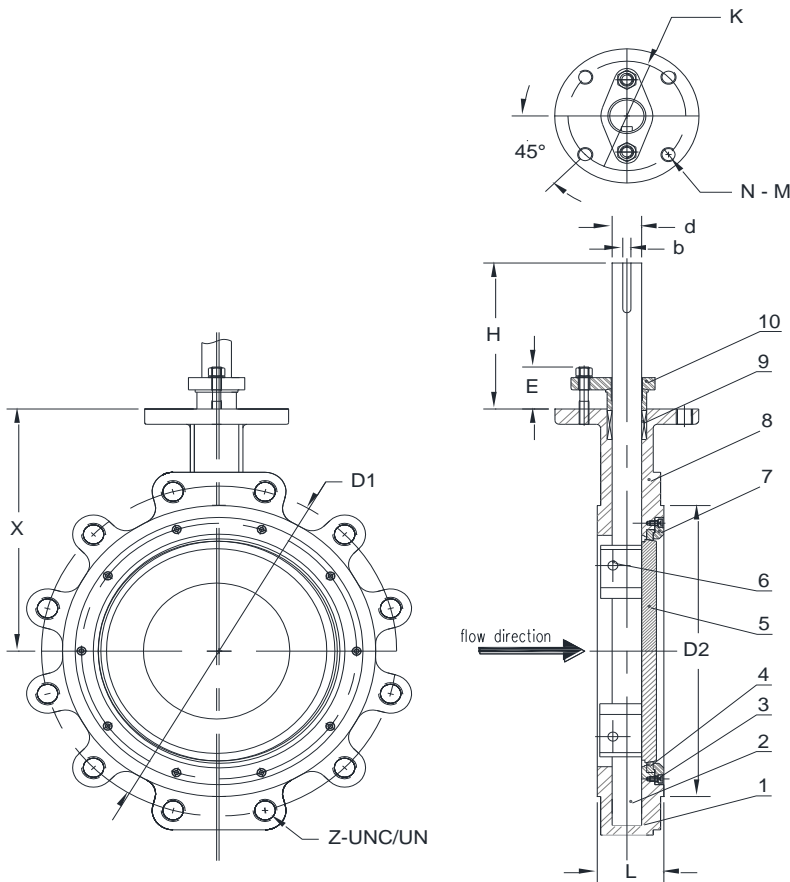


Size	L	D1	Z - UNC/UN	D2	d	b	H	K	N - M	E	X
2"	1.69	4.75	4 - 5/8" -11	3.62	0.63	0.197	3.70±0.08	2.76	4 - M10	1.57	4.57
2½"	1.89	5.50	4 - 5/8" -11	4.13	0.71	0.236	3.70±0.08	2.76	4 - M10	1.57	5.20
3"	1.89	6.00	4 - 5/8" -11	5.00	0.71	0.236	3.70±0.08	2.76	4 - M10	1.77	5.31
4"	2.13	7.50	8 - 3/4" -10	6.18	0.79	0.236	3.70±0.08	2.76	4 - M10	1.77	6.89
5"	2.24	8.50	8 - 3/4" -10	7.32	0.87	0.315	3.70±0.08	4.02	4 - M10	1.77	7.40
6"	2.24	9.50	8 - 3/4" -10	8.50	0.94	0.315	3.70±0.08	4.02	4 - M10	1.77	8.15



DESIGN STANDARD	API 609
FLANGE CONNECTION	ASTM B16.5
FACE TO FACE	API 609
TEST PROCEDURE	API 598
FIRE TEST	API 607(R4)
SHOCK	MIL-S- 901D Grade A
VIBRATION TEST	MIL-STD-167-1A

NOTES	
1)	Cap screws and stud lengths are determined by customer due to flange and gasket sizes.
2)	2", 2.5", and 3" valves are full wafer/lug style conforming to API 609

No.	PART	PART NO.	Qty	MATERIAL
1	Gasket	N/A	1	Does Not Apply
2	Stem	76N-2P0XX	1	17-4PH
3	Screw	76N-3A0XX	**	A193 B8M
4	Seat	76N-4R0XX	1	RTFE + SS
5	Disc	76N-5C0XX	1	A351 CF8M
6	Pin	76N-6P0XX	2	17-4PH
7	Seal Plate	76N-7L0XX	1	A182 F316L
8	Body	77N-8C0XX	1	A351 CF3M
9	Packing	76N-9G0XX	1	Graphite
10	Stuffing Cover	76N-10FXX	1	A182 F316

NOTE: All drawings are subject to change from factory without notice. ** (2"-6pcs), (2-1/2"-6pcs), (3"-8pcs), (4"-10pcs), (5"-12pcs), (6"-12pcs) * Items #4 & #7 Coincide

Pressure Rating: ANSI 150	DIMENSIONAL DATA SHEET Series 77N High Performance Butterfly Valve Lug Type 2" - 6"	Material Reference: 316L / 316
Customer/Project:		Part No.: 77-XXXN-6512R30
Cage Code: 6SPR5		Drawing No.: FL 77N-0150-1SS-R1
Drawn By: TEM	Approved by: DAB	Manufactured to Specifications of MIL-V-24624
		Rev. # D
		Rev. Date 06/02/2015