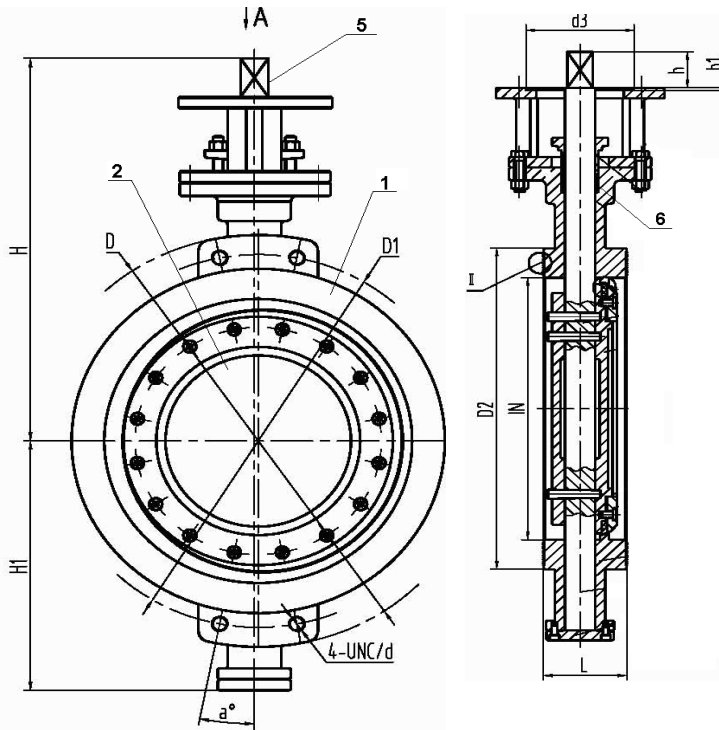


Size	L	D	D1	D2	4-UNC	H	H1	h	K	ISO5211	d1	d2	d3	h1
14"	4.61	23.03	20.25	16.26	4-11/8"-8UNC	22.05	12.52	4.33	46mm	F25	11.81	10	7.87	0.2
16"	5.24	25.59	22.5	18.5	4-11/4"-8UNC	25.04	13.98	4.33	46mm	F25	11.81	10	7.87	0.2
18"	8.87	27.95	24.75	20.98	4-11/4"-8UNC	26.22	15.16	6.3	55mm	F25	11.81	10	7.87	0.2
20"	6.26	30.51	27	22.99	4-11/4"-8UNC	28.54	16.73	6.3	55mm	F25	11.81	10	7.87	0.2
24"	7.13	36.02	32	27.24	4-11/2"-8UNC	32.48	18.98	6.69	55mm	F30	13.78	11.73	9.06	0.2



No.	Item	Material	Optional
1	Body	WCB/316SS/304SS	Duplex
2	Disc	316SS/304SS	Stellite/Duplex
3	Seat	.13Cr	Stellite
4	Seat Ring	316SS+Graphoil	Stellite+Graphoil/ 304SS+Graphoil/ .13Cr+Graphoil
5	Shaft	17-4PhSS	316SS/Monel
6	Packing	Graphoil	Consult Factory
7	Bearings	SS+Nitrate	Consult Factory

<b>Design</b>	API 607 6th Edition		
<b>Flange</b>	ANSI B16.5		
<b>Test</b>	API 598		
<b>Torque In-lbs</b>			
14"	36537	20"	90174
16"	51885	24"	162637
18"	70808		

VALVE	Wafer Torque Seated
PRESSURE RATING	ANSI 300
CUSTOMER/PROJECT	
SPECIFICATION	API 607 6th Edition
CERTIFIED BY	J.D.

**DIMENSIONAL DATA SHEET**

**Series 78**

**Wafer Torque Seated Triple Offset Butterfly Valve**

**Size 14"----24"**

PART NO.	
DRAWING NO. FL78-1301	REV A
DATE 12/15/2011	