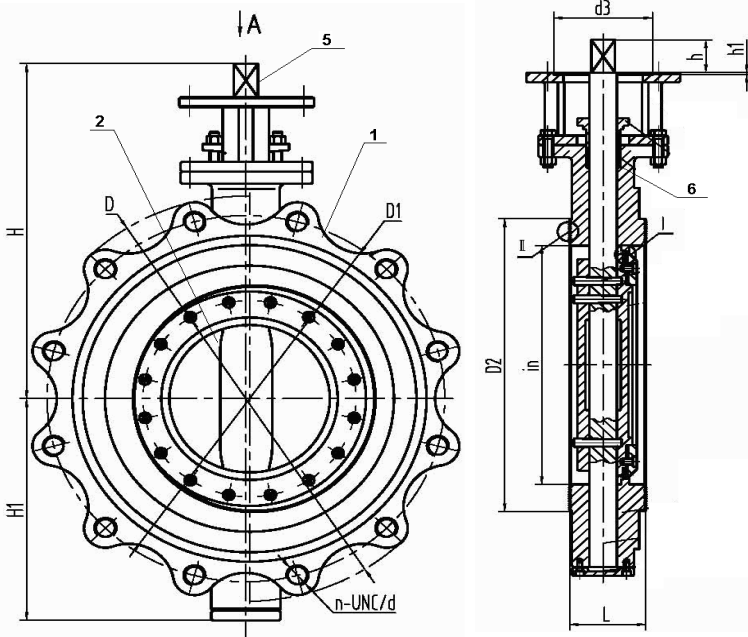
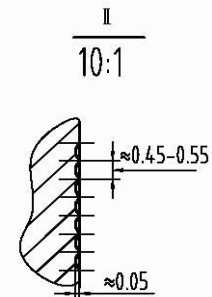
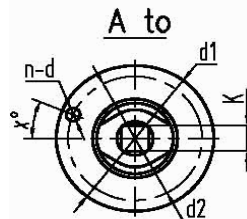
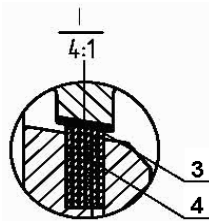


Size	L	D	D1	D2	4-UNC	H	H1	h	K	ISO5211	d1	d2	d3	h1
14"	4.61	23.03	20.25	16.26	20-1-1/8"-8UNC	22.05	12.52	4.33	46mm	F25	11.81	10	7.87	0.2
16"	5.24	25.59	22.5	18.5	20-1-1/4"-8UNC	25.04	13.98	4.33	46mm	F25	11.81	10	7.87	0.2
18"	8.87	27.95	24.75	20.98	24-1-1/4"-8UNC	26.22	15.16	6.3	55mm	F25	11.81	10	7.87	0.2
20"	6.26	30.51	27	22.99	24-1-1/4"-8UNC	28.54	16.73	6.3	55mm	F25	11.81	10	7.87	0.2
24"	7.13	36.02	32	27.24	24-1-1/2"-8UNC	32.48	18.98	6.69	55mm	F30	13.78	11.73	9.06	0.2



No.	Item	Material	Optional
1	Body	WCB/316SS/304SS	Duplex
2	Disc	316SS/304SS	Stellite/Duplex
3	Seat	.13Cr	Stellite
4	Seat Ring	316SS+Graphoil	Stellite+Graphoil/ 304SS+Graphoil/ .13Cr+Graphoil
5	Shaft	17-4PhSS	316SS/Monel
6	Packing	Graphoil	Consult Factory
7	Bearings	SS+Nitrate	Consult Factory

Design	API 607 6th Edition		
Flange	ANSI B16.5		
Test	API 598		
Torque In-lbs			
14"	36537	20"	90174
16"	51885	24"	162637
18"	70808		



VALVE	Lug Torque Seated	DIMENSIONAL DATA SHEET Series 78 Lug Torque Seated Triple Offset Butterfly Valve Size 14"----24"	PART NO.	
PRESSURE RATING	ANSI 300		DRAWING NO.	REV
CUSTOMER/PROJECT			FL78-2301	A
SPECIFICATION	API 607 6th Edition		DATE	
CERTIFIED BY	J.D.		12/15/2011	