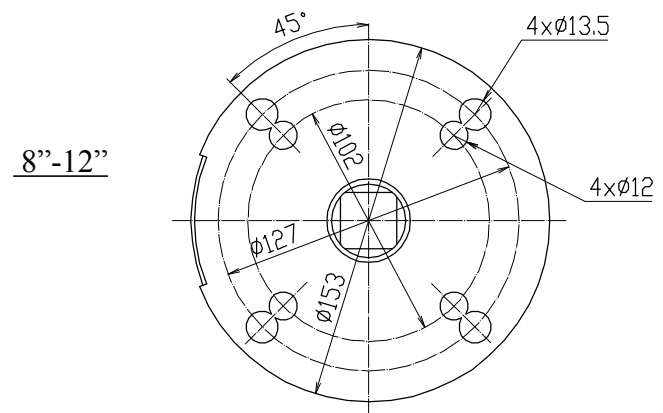
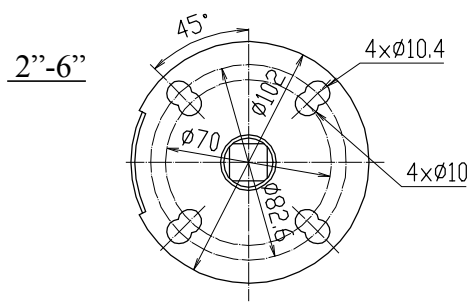
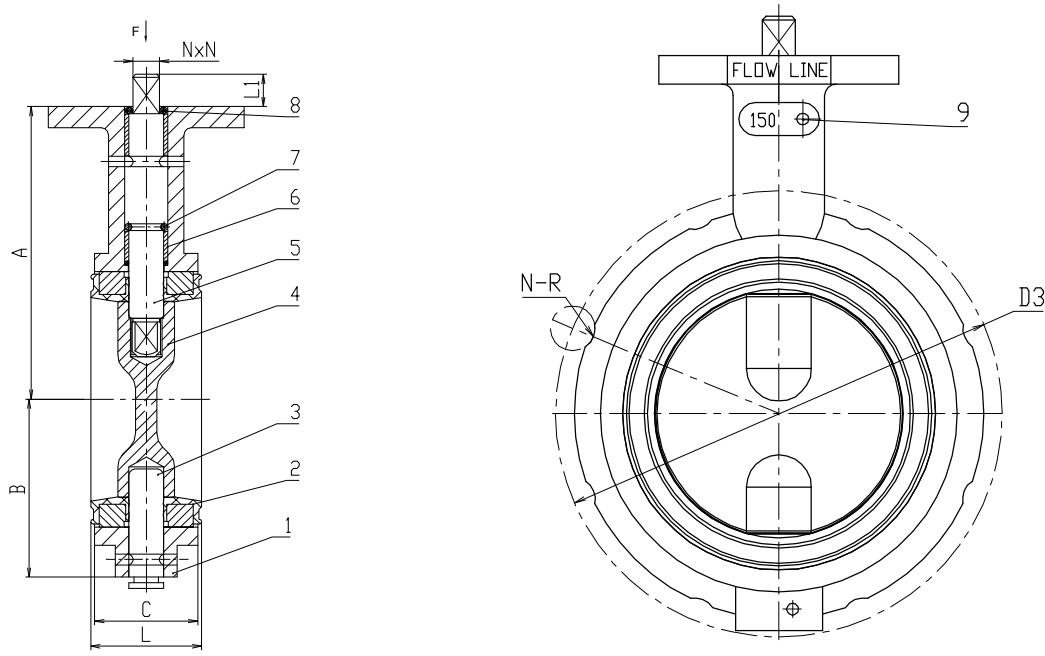


Size	A	B	C	L	D3	N-R	D4	n-r	NxN	L1	Weight
2"	3.94	2.57	1.75	1.87	4.25	.16-R.31	4.27	NA	.55x.55	0.94	6
2.5"	4.44	2.82	1.89	2.01	5.5	.16-R.43	5.31	NA	.55x.55	0.94	7
3"	4.84	3.07	1.87	2.01	6	.16-R.43	4.91	.24-R.31	.55x.55	0.94	8
4"	6	3.64	2.11	2.27	7.5	.31-R.43	7.03	.24-R.39	.55x.55	0.94	12
5"	6	4.17	2.24	2.4	8.5	.31-R.55	7.56	.24-R.35	.67x.67	1.18	15
6"	6.5	4.76	2.24	2.4	9	.31-R.39	9.16	NA	.67x.67	1.18	18
8"	8.06	5.91	2.55	2.72	11.75	.31-R.55	11.72	NA	.87x.87	1.26	29
10"	9.97	7.09	2.74	2.9	14.25	.47-R.59	13.72	.31-R.47	.87x.87	1.26	43
12"	10.91	9.21	3.26	3.4	NA	.47-R.59	16.62	NA	.87x.87	1.26	71



VALVE SIZE	FLANGE DRILLING	<b>DIMENSIONAL DATA SHEET</b> <b>BUTTERFLY VALVE</b> <b>SERIES 70S</b> <b>SIZES 2" - 12"</b>		PART NO.	
PRESSURE RATING				DRAWING NO.	REV
CUSTOMER/PROJECT				70S -001	A
INQ/PO NO.				DATE	
ORDER NO.				08/09	
CERTIFIED BY	DATE				

**Flow Line Valve and Controls, L.L.C.**