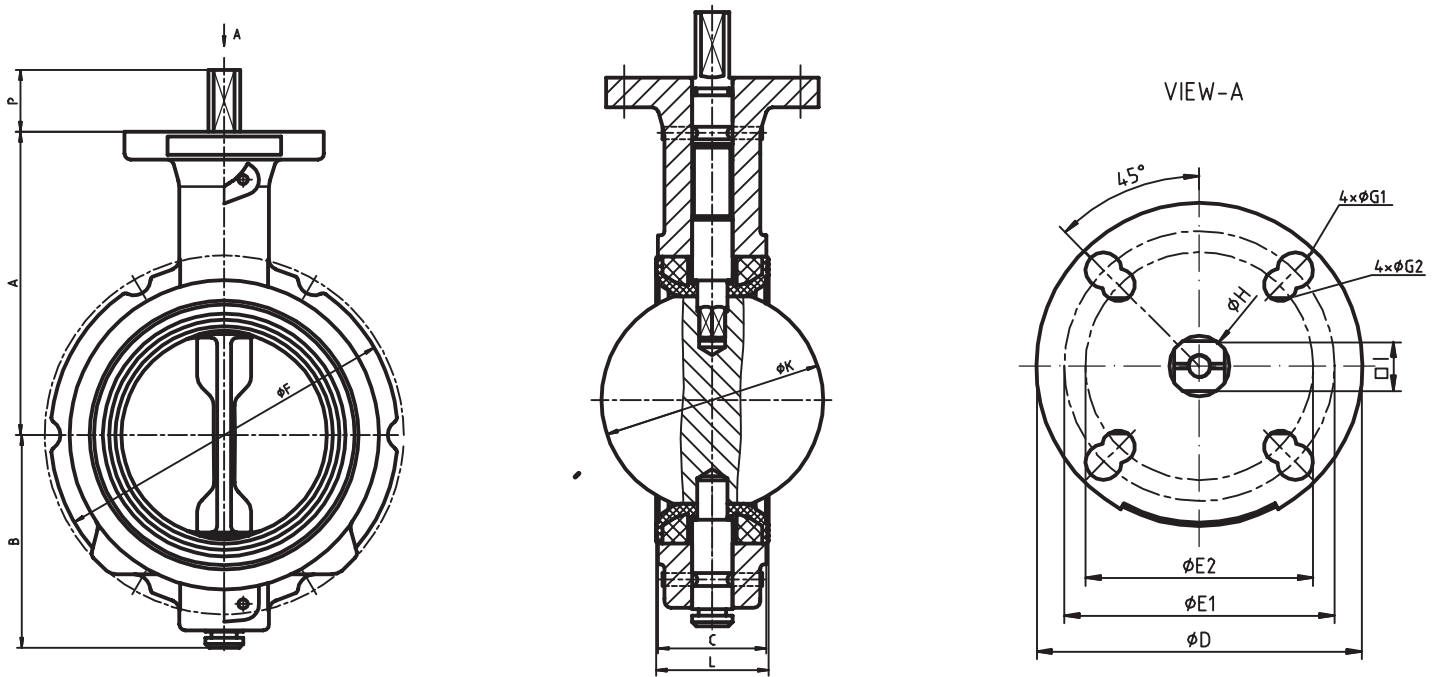


Size	A	B	C	D	E1	E2	F	G1	G2	H	K	L	I	P	Wgt
2"	3.94	2.99	1.63	4.02	3.25	2.76	4.08	0.41	0.39	0.75	2.11	1.72	0.63	0.98	5
2 1/2"	4.53	3.33	1.75	4.02	3.25	2.76	4.88	0.41	0.39	0.75	2.54	1.85	0.63	1.02	6
3"	4.88	3.58	1.74	4.02	3.25	2.76	5.35	0.41	0.39	0.75	3.11	1.85	0.63	0.98	7
4"	6.02	4.21	2.0	4.02	3.25	2.76	6.85	0.41	0.39	0.75	4.11	2.09	0.63	1.26	10
5"	5.98	4.8	2.13	4.02	3.25	2.76	7.84	0.41	0.39	0.94	5.12	2.23	0.63	1.26	13
6"	6.52	5.3	2.13	4.02	3.25	2.76	8.74	0.41	0.39	0.94	6.12	2.23	0.63	1.22	13
8"	8.14	6.98	2.5	6.02	5.0	4.02	10.98	0.53	0.47	1.25	8.14	2.61	0.87	1.22	30
10"	9.37	8.21	2.5	6.02	5.0	4.02	13.39	0.53	0.47	1.25	10.08	2.61	0.87	1.22	42
12"	10.89	9.76	3	6.02	5.0	4.02	16.07	0.53	0.47	1.56	12.08	3.1	1.13	1.26	68



VALVE SIZE	<b>DIMENSIONAL DATA SHEET</b> <b>BUTTERFLY VALVE</b> <b>SERIES 70W</b> <b>SIZES 2" - 12"</b>	PART NO.	
PRESSURE RATING		DRAWING NO.	REV
CUSTOMER/PROJECT		70W-001	
INQ/PO NO.		DATE	
ORDER NO.		12-09	
CERTIFIED BY	DATE		