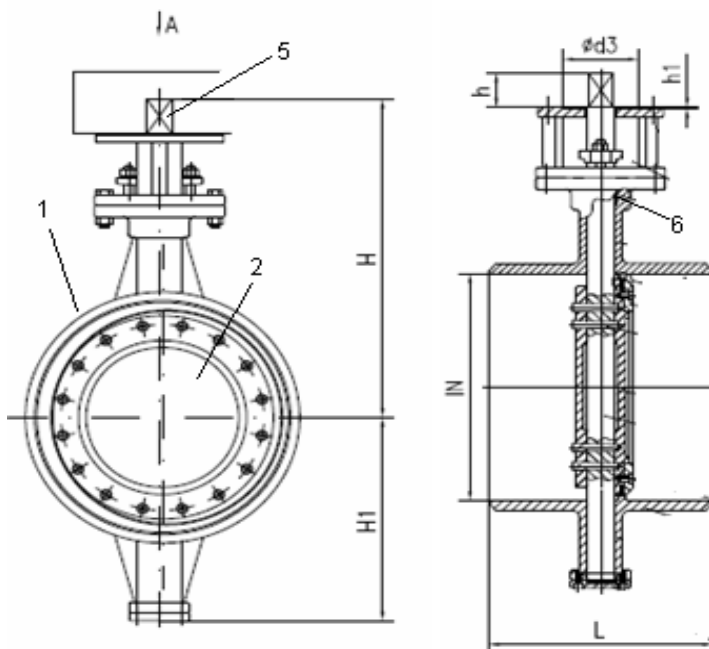
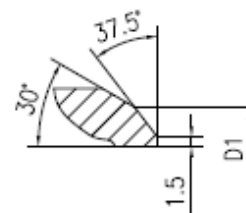
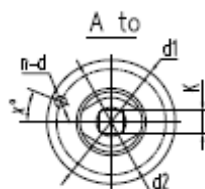
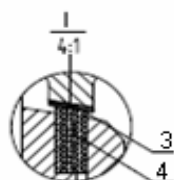


Size	D1	L	H	H1	d1	d2	d3	K	n-Ød2	X°	h1	h	ISO5211
2"	2.24	5.91	4.25	8.58	3.54	2.76	2.17	0.43	4-Φ.39	45°	0.12	1.77±.20	F07
2.5"	2.95	6.69	4.65	8.98	3.54	2.76	2.17	0.43	4-Φ.39	45°	0.12	1.77±.20	F07
3"	3.58	7.09	4.96	9.29	3.54	2.76	2.17	0.55	4-Φ.39	45°	0.12	1.77±.20	F07
4"	4.61	7.48	4.82	11.22	3.54	2.76	2.17	0.55	4-Φ.39	45°	0.12	1.77±.20	F07
5"	5.67	7.87	5.51	13.46	4.92	4.02	2.76	0.75	4-Φ.47	45°	0.12	2.56±.20	F10
6"	6.77	8.27	6.1	14.06	4.92	4.02	2.76	0.75	4-Φ.47	45°	0.12	2.56±.20	F10
8"	8.78	9.06	7.28	16.93	5.91	4.92	3.35	1.06	4-Φ.55	45°	0.12	3.35±.20	F12
10"	10.94	9.84	10.75	18.15	5.91	4.92	3.35	1.06	4-Φ.55	45°	0.12	3.35±.20	F12
12"	12.95	10.63	12.13	20.87	8.27	6.5	5.12	1.42	4-Φ.87	45°	0.2	4.33±.39	F16



No.	Item	Material	Optional
1	Body	WCB/316SS/304SS	Duplex
2	Disc	316SS/304SS	Stellite/Duplex
3	Seat	.13Cr	Stellite
4	Seat Ring	316SS+Graphoil	Stellite+Graphoil/ 304SS+Graphoil/ .13Cr+Graphoil
5	Shaft	17-4PhSS	316SS/Monel
6	Packing	Graphoil	Consult Factory
7	Bearings	SS+Nitrate	Consult Factory

Design	API 607 6th Edition		
Flange	ANSI B16.25		
Test	API 598		
Torque In-lbs			
2"	310	6"	2567
2.5"	425	8"	5134
3"	590	10"	7966
4"	1080	12"	12922
5"	1655		



VALVE	Buttweld Torque Seated Triple Offset	DIMENSIONAL DATA SHEET Series 78 Buttweld Torque Seated Triple Offset Butterfly Valve Size 2"-----12"		PART NO.	
PRESSURE RATING	ANSI 150			DRAWING NO.	REV
CUSTOMER/PROJECT				FL78-4150	A
SPECIFICATION	API 607 6th Edition			DATE	
CERTIFIED BY	J.D.			5/22/2012	
EDITED BY	K.M.				