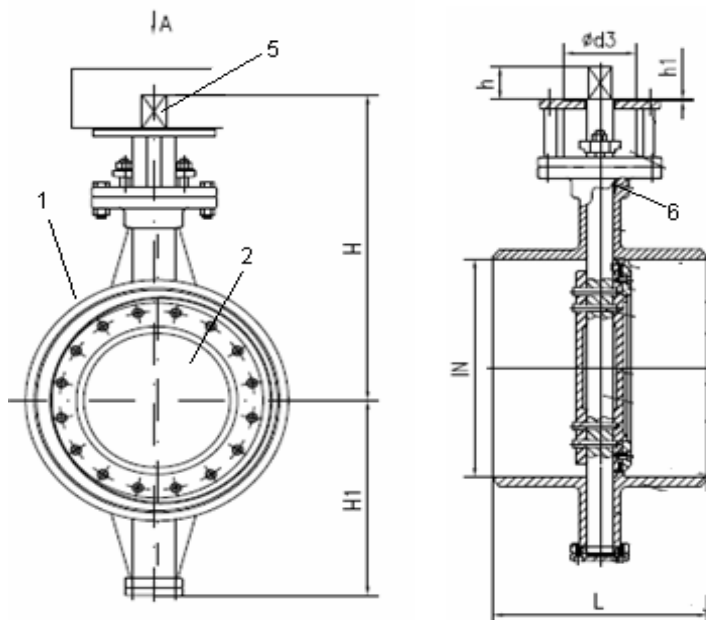


Size	D1	L	H	H1	d1	d2	d3	K	n-Ød2	X°	h1	h	ISO5211
14"	14.25	11.42	12.52	22.05	8.27	6.50	5.12	1.42	4-Ø.87	45°	0.2	4.33±.39	F16
16"	16.26	12.2	13.98	25.04	8.27	6.50	5.12	1.42	4-Ø.87	45°	0.2	4.33±.39	F16
18"	18.27	12.99	15.16	26.22	11.81	10.00	7.87	1.81	8-Ø.71	22.5°	0.2	4.33±.39	F25
20"	20.31	13.78	16.73	28.54	11.81	10.00	7.87	1.81	8-Ø.71	22.5°	0.2	4.33±.39	F25
24"	24.37	15.35	18.98	32.48	11.81	10.00	7.87	2.17	8-Ø.71	22.5°	0.2	6.30±.39	F25



No.	Item	Material	Optional
1	Body	WCB/316SS/304SS	Duplex
2	Disc	316SS/304SS	Stellite/Duplex
3	Seat	.13Cr	Stellite
4	Seat Ring	316SS+Graphoil	Stellite+Graphoil/ 304SS+Graphoil/ .13Cr+Graphoil
5	Shaft	17-4PhSS	316SS/Monel
6	Packing	Graphoil	Consult Factory
7	Bearings	SS+Nitrate	Consult Factory

Design	API 607 6th Edition		
Flange	ANSI B16.25		
Test	API 598		
Torque In-lbs			
14"	17348	20"	44414
16"	26022	24"	5018
18"	34855	10"	7822

VALVE Buttweld Torque Seated Triple Offset	DIMENSIONAL DATA SHEET Series 78 Buttweld Torque Seated Triple Offset Butterfly Valve Size 14"----24"	PART NO.	
PRESSURE RATING ANSI 150		DRAWING NO. FL78-4151	REV A
CUSTOMER/PROJECT		DATE 5/22/2012	
SPECIFICATION API 607 6th Edition			
CERTIFIED BY J.D.			
EDITED BY K.M.			

Flow Line Valve and Controls, LLC

P.O. Box 677 · 110 Main Project Road · Schriever LA 70395 · Phone (985) 414-6004 · Fax (985) 414-6072

www.flowlinevalves.com