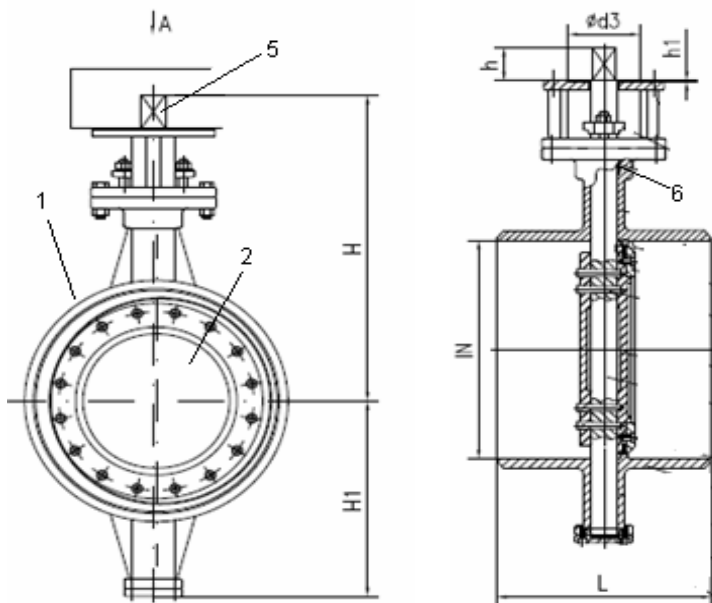


Size	D1	L	H	H1	d1	d2	d3	K	n-Ød2	X°	h1	h	ISO5211
4"	Φ4.61	7.48	11.22	4.82	5.91	4.92	3.35	0.87	4-Φ.55	45°	0.12	3.35±.20	F12
5"	Φ5.67	7.87	13.46	5.51	5.91	4.92	3.35	0.87	4-Φ.55	45°	0.12	3.35±.20	F12
6"	Φ6.77	8.27	14.06	6.10	8.27	6.50	5.12	1.06	4-Φ.87	45°	0.2	4.33±.39	F16
8"	Φ8.78	9.06	16.93	7.28	8.27	6.50	5.12	1.06	4-Φ.87	45°	0.2	4.33±.39	F16
10"	Φ10.94	9.84	18.15	10.75	8.27	6.50	5.12	1.42	4-Φ.87	45°	0.2	4.33±.39	F16
12"	Φ12.95	10.63	20.87	12.13	8.27	6.50	5.12	1.42	4-Φ.87	45°	0.2	4.33±.39	F16
14"	Φ14.25	11.42	22.05	12.52	11.81	10.00	7.87	1.81	8-Φ.71	22.5°	0.2	4.33±.39	F25
16"	Φ16.26	12.20	25.04	13.98	11.81	10.00	7.87	1.81	8-Φ.71	22.5°	0.2	4.33±.39	F25
18"	Φ18.27	12.99	26.22	15.16	11.81	10.00	7.87	2.17	8-Φ.71	22.5°	0.2	6.30±.39	F25
20"	Φ20.31	13.78	28.54	16.73	11.81	10.00	7.87	2.17	8-Φ.71	22.5°	0.2	6.30±.39	F25
24"	Φ24.37	15.35	32.48	18.98	13.78	11.73	9.06	2.95	8-Φ.87	22.5°	0.2	6.69±.39	F30



No.	Item	Material	Optional
1	Body	WCB/316SS/304SS	Duplex
2	Disc	316SS/304SS	Stellite/Duplex
3	Seat	.13Cr	Stellite
4	Seat Ring	316SS+Graphoil	Stellite+Graphoil/ 304SS+Graphoil/ .13Cr+Graphoil
5	Shaft	17-4PhSS	316SS/Monel
6	Packing	Graphoil	Consult Factory
7	Bearings	SS+Nitrate	Consult Factory

Design	API 607 6th Edition	
Flange	ANSI B16.25	
Test	API 598	
Torque In-lbs		
4"	2088.84	14" 36536.93
5"	3398.78	16" 51884.56
6"	4691.03	18" 70808.00
8"	10178.65	20" 90173.99
10"	17312.56	24" 162637.13
12"	25977.69	

VALVE	Buttweld Torque Seated Triple Offset
PRESSURE RATING	ANSI 300
CUSTOMER/PROJECT	
SPECIFICATION	API 607 6th Edition
CERTIFIED BY	J.D.
EDITED BY	K.M.

DIMENSIONAL DATA SHEET	
Series 78	
Buttweld Torque Seated Triple Offset Butterfly Valve	
Size 4"----24"	

PART NO.	
DRAWING NO. FL78-4300	REV A
DATE 5/22/2012	