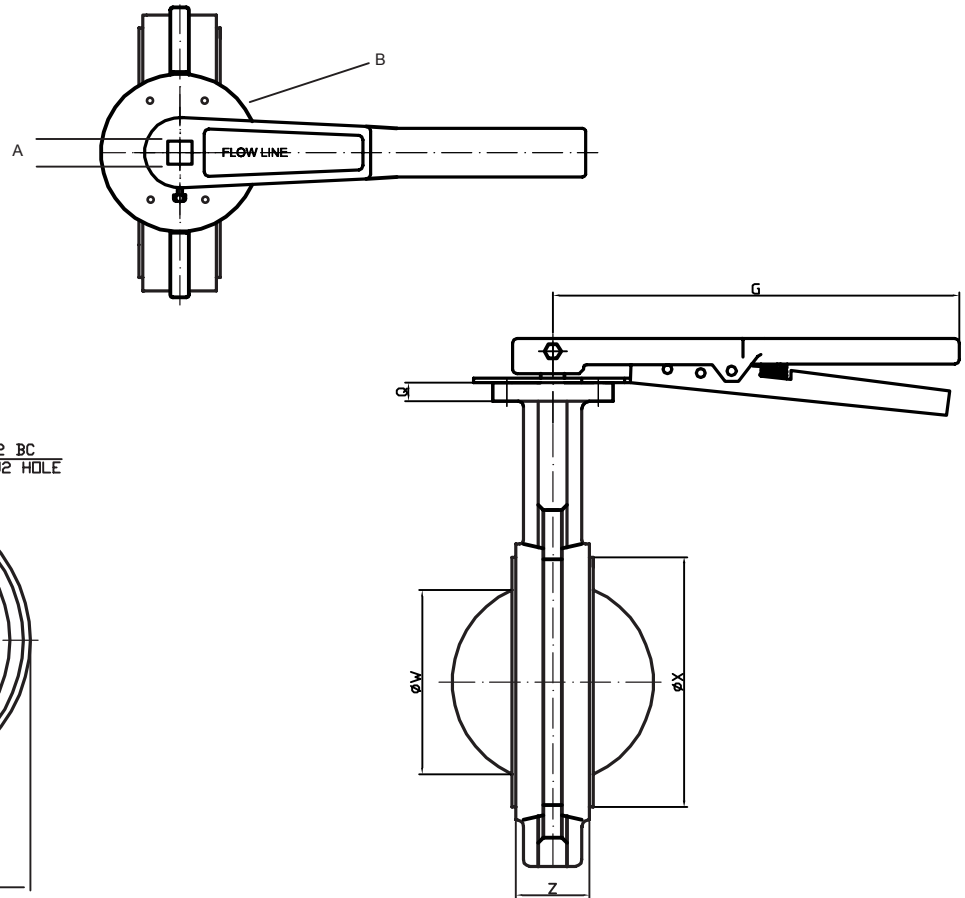


Valve Size	Z	Y	X	W	V	U	T	R	Q	G	A	B	JOINT FLANGE DRILLING				WGT lb	
													K2	# HOLES	J2	a°		
2	1.69	2.07	3.00	1.26	6.34	9.49	4.65	0.98	0.51	9.5	0.551	2.76	F07	4.75	4	0.75	45°	8
2-1/2	1.78	2.53	3.50	1.81	6.89	10.39	5.39	0.98	0.51	9.5	0.551	2.76	F07	5.5	4	0.75	45°	9
3	1.78	3.10	4.09	2.52	7.13	10.87	5.63	0.98	0.51	9.5	0.551	2.76	F07	6	4	0.75	45°	10
4	2.05	4.09	5.31	3.54	7.87	12.36	6.14	0.98	0.51	9.5	0.551	2.76	F07	7.5	4	0.75	22.5°	13
5	2.19	4.85	6.26	4.37	8.39	13.39	7.48	1.18	0.51	11	.670	2.76	F07	8.5	4	0.88	22.5°	18
6	2.19	6.13	7.42	5.71	8.90	14.37	8.35	1.18	0.51	11	.670	2.76	F07	9.5	4	0.88	22.5°	20
8	2.39	7.97	9.38	7.56	10.24	17.13	10.55	1.18	0.51	11	0.866	4.02	F10	11.75	4	0.88	22.5°	34
10	2.68	9.86	11.51	9.53	11.50	19.49	12.80	1.26	0.51	15	0.866	4.02	F10	14.25	4	1	15°	48
12	3.03	11.87	13.54	11.50	13.27	22.80	15.87	1.26	0.79	15	0.866	4.02	F10	17	4	1	15°	77



VALVE SIZE	FLANGE DRILLING	DIMENSIONAL DATA SHEET WAFER TYPE BUTTERFLY VALVES SERIES 84 SIZES 2"-12"		PART NO.	
PRESSURE RATING				DRAWING NO.	REV
CUSTOMER/PROJECT				FL84-001	A
INQ/PO NO.				DATE	
ORDER NO.				6/15/09	
CERTIFIED BY	DATE				