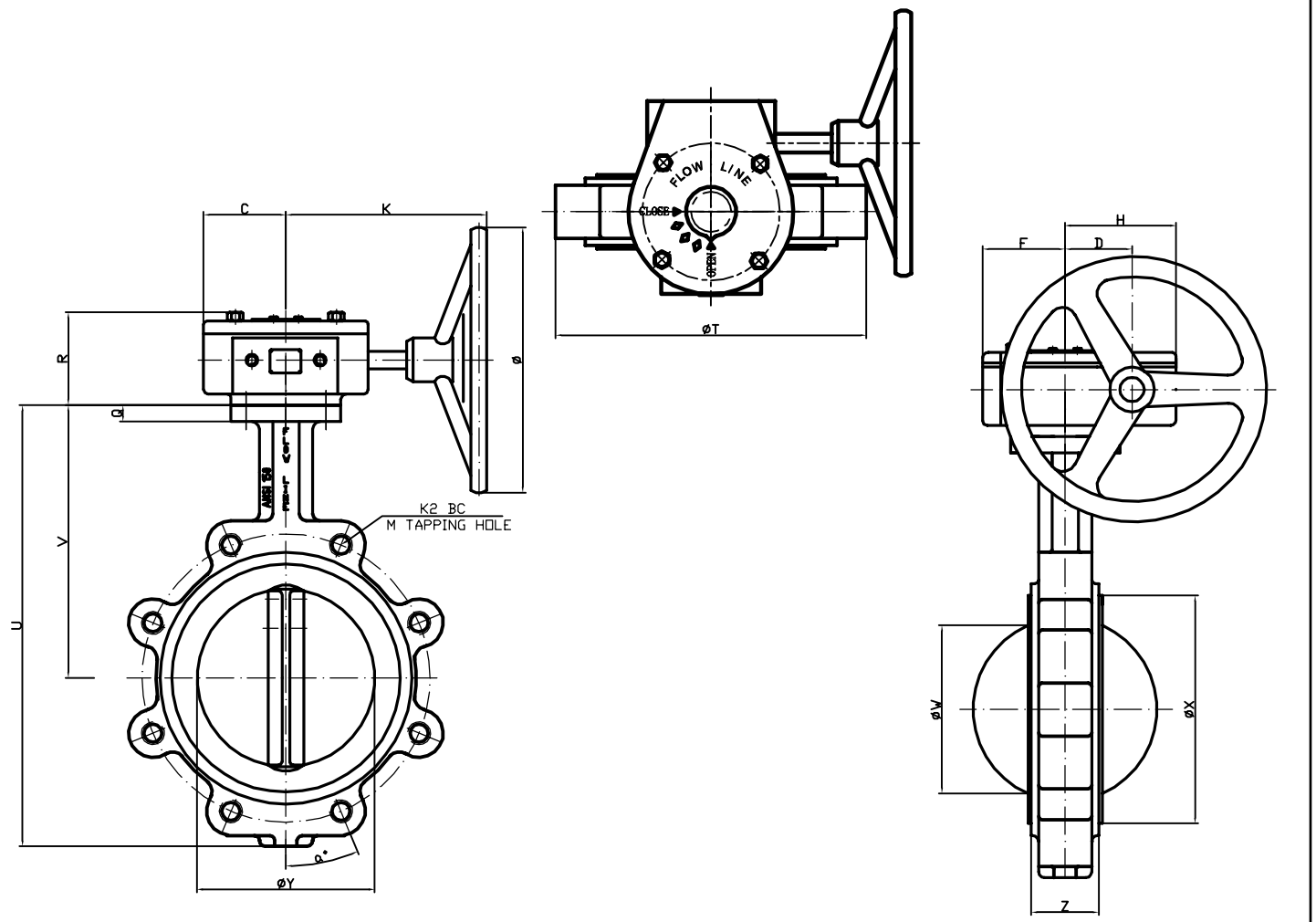


Valve Size	Z	Y	X	W	V	U	T	R	Q	C	K	Ø	F	D	H	JOINT FLANGE DRILLING				WGT lb
																K2	#HOLES	J2	a°	
2	1.69	2.07	3.00	1.26	6.34	9.49	4.65	2.74	0.51	2.07	5.77	5.67	2.03	1.99	2.89	4.75	4	5/8"	45°	20
2-1/2	1.81	2.53	3.50	1.81	6.89	10.39	5.39	2.74	0.51	2.07	5.77	5.67	2.03	1.99	2.89	5.5	4	5/8"	45°	21
3	1.78	3.10	4.09	2.52	7.13	10.87	7.01	2.74	0.51	2.07	5.77	5.67	2.03	1.99	2.89	6	4	5/8"	45°	22
4	2.05	4.09	5.31	3.54	7.87	12.36	8.11	2.74	0.51	2.07	5.77	5.67	2.03	1.99	2.89	7.5	8	5/8"	22.5°	32
5	2.19	4.85	6.26	4.37	8.39	13.39	9.37	2.74	0.51	2.07	5.77	5.67	2.03	1.99	2.89	8.5	8	3/4"	22.5°	36
6	2.19	6.13	7.42	5.71	8.90	14.37	10.47	2.74	0.51	2.07	5.77	5.67	2.03	1.99	2.89	9.5	8	3/4"	22.5°	43
8	2.39	7.97	9.38	7.56	10.24	17.13	12.95	3.15	0.51	2.96	9.25	11.3	2.93	2.58	3.92	11.75	8	3/4"	22.5°	69
10	2.68	9.86	11.51	9.53	11.50	19.49	15.47	3.15	0.51	2.96	9.25	11.3	2.93	2.58	3.92	14.25	12	7/8"	15°	88
12	3.03	11.87	13.54	11.50	13.27	22.80	18.19	3.44	0.79	3.19	8.72	11.3	2.85	3.3	4.48	17	12	7/8"	15°	121
14	3.00	13.12	14.78	12.68	14.49	25	20.28	3.44	0.79	3.19	8.72	11.3	2.85	3.3	4.48	18.75	12	1"	15°	157



VALVE SIZE	FLANGE DRILLING	<b>DIMENSIONAL DATA SHEET</b> <b>LUG TYPE BUTTERFLY VALVE</b> <b>GEAR OPERATOR</b> <b>SERIES 85</b> <b>SIZES 2"-14"</b>		PART NO.	
PRESSURE RATING				DRAWING NO.	REV
CUSTOMER/PROJECT				FL85-002	A
INQ/PO NO.				DATE	
ORDER NO.				6/15/09	
CERTIFIED BY	DATE				