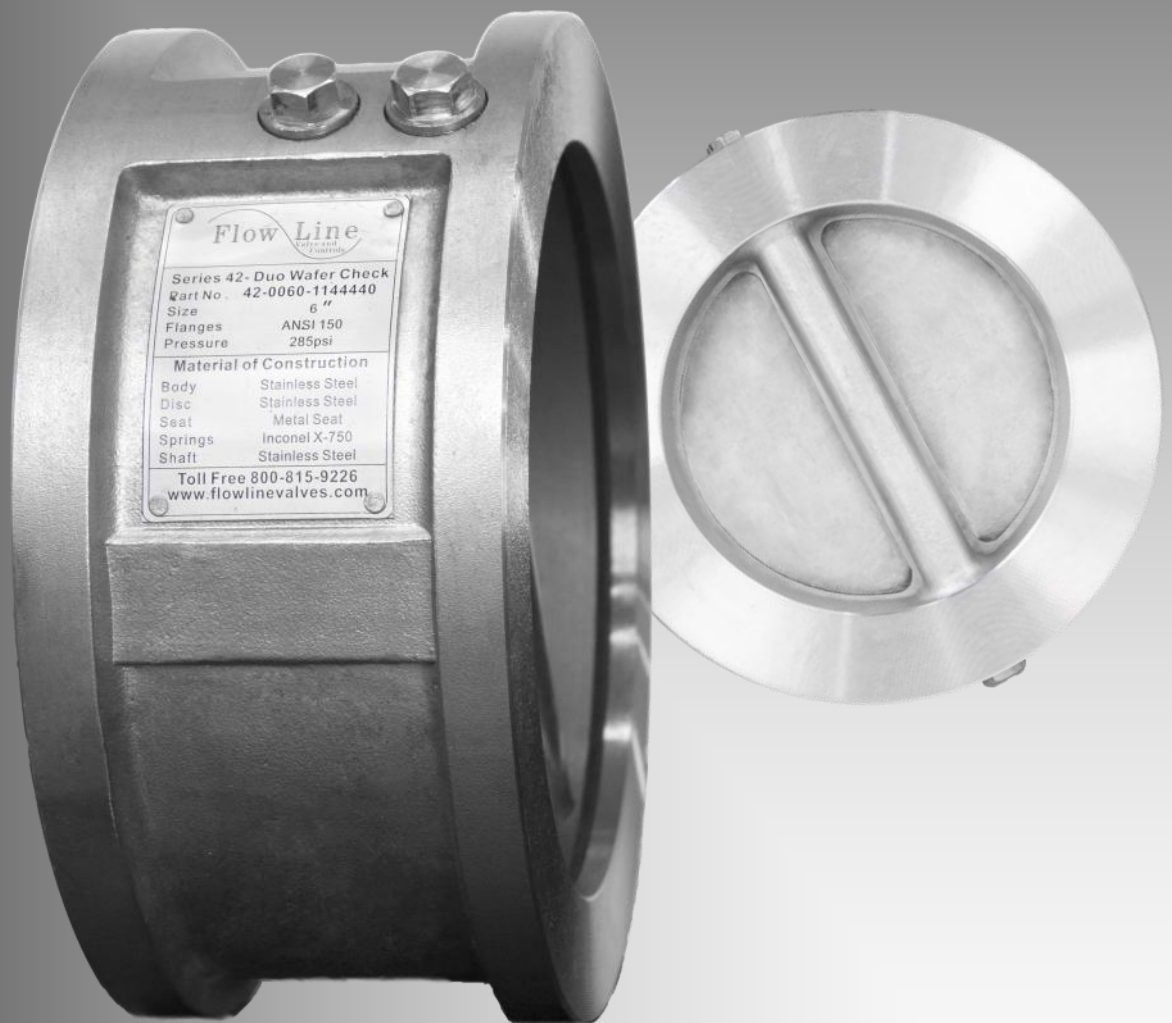


# Flow Line

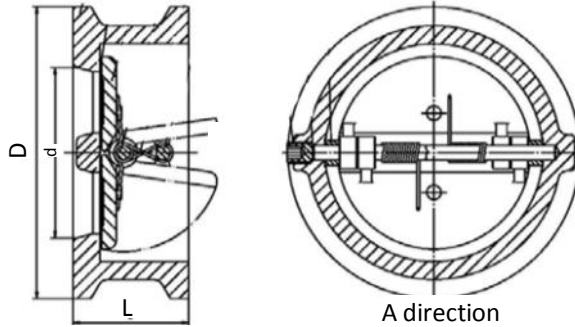
# 42



**Dual Door Wafer Check**

**Sizes 2"- 48"**

# ENGINEERING



## DIMENSIONS

ANSI 150				ANSI 300				ANSI 600			
Size	L	D	WT lbs	Size	L	D	WT	Size	L	D	WT
2"	2.36	4.06	4.4	2"	2.36	4.33	6.6	2"	2.36	4.33	8.8
2.5"	2.64	4.80	6.6	2.5"	2.64	5.04	7.7	2.5"	2.64	5.04	11
3"	2.87	5.31	8.8	3"	2.87	5.79	13.2	3"	2.87	5.79	17.6
4"	2.87	6.81	13.2	4"	2.87	7.05	17.6	4"	3.11	7.52	24.3
5"	3.39	7.68	17.6	5"	3.39	8.43	33.1	5"	4.13	9.41	44.1
6"	3.86	8.66	28.7	6"	3.86	9.80	39.7	6"	5.35	10.39	57.3
8"	5.00	10.91	55.1	8"	5.00	12.01	68.3	8"	6.5	12.52	121.3
10"	5.75	13.27	86.0	10"	5.75	14.13	112.4	10"	8.39	15.67	209.4
12"	7.13	16.02	119.0	12"	7.52	16.54	169.8	12"	9.02	17.91	308.6

## HOW TO ORDER

Series	Size	ANSI	Seat	Body	Plate	Shaft	Spring	Special
1	2	3	4	5	6	7	8	9
1	Series		3	ANSI		6 Plate		
	42	Dual Plate Wafer Check		A B C D E F G H	150 - RF 300 - RF 600 - RF 600 - RTJ 900 - RF 900 - RTJ 1500 - RF 1500 - RTJ	4	316 SS .CR13	7 Shaft
2	Valve Size			4 Seat		8 Spring		
	0020	2"	01400	14"	B E V M	Buna EPDM Viton Metal	0 Inconel	9 Special
	0025	2.5"	01600	16"	5 Body		0 NA	
	0030	3"	01800	18"	4	316 SS	<i>Design Standard</i> <i>Face to Face</i> <i>Flange Dimensions</i> <i>Test Pressure Materials</i> API 594 ANSI 594 ANSI B16.34 API 598 ANSI B16.34 ASTM	
	0040	4"	02000	20"	5	216 WCB		
	0050	5"	02400	24"				
	0060	6"	03000	30"				
	0080	8"	03600	36"				
01000	10"	04200	42"					
01200	12"	04800	48"					

\* For dimensions of unlisted sizes, please see your local distributor or visit our website at [www.flowlinevalves.com](http://www.flowlinevalves.com).

# FlowLine

110 Main Project Rd. Schriever, LA 70395  
 Phone (985) 414-6004 Fax (985) 414-6072  
 Toll 800-815-9226

[www.flowlinevalves.com](http://www.flowlinevalves.com)

Doc. No. FLBV1  
 © Flow Line